



Commercial &
Industrial Lighting



LED BARN LIGHTS

58W



DESCRIPTION:

safety light for the unattended building or area in the dark, comes with photocell already mounted for easy install and control.

APPLICATIONS:

Yard, dock, backyard, barns, farms, alleyways, roadway, parking lots, sidewalk, porch, building wall, etc.



SPECIFICATION FEATURES

LISTING:

ETL

WARRANTY:

5 Yrs Warranty

SUITABLE FOR WET LOCATIONS:

IP65

ORDER INFORMATION

KL	BR	WATTAGE	BN	COLOR TEMP	A1
KL	BR	58W	BN	3K: 3000K 4K: 4000K 5K: 5000K	A1

OTHER DETAILS

To prevent injury or damage to property, this product must be installed in accordance to National Electrical Code (NFPA70) in the US or Canadian Electrical Code (CSA 22.1) in Canada.

Risk of fire or electric shock. The electrical rating of these products are 100-277 Vac, the installer must determine whether they have 100-277 V at the luminaire before installation.

Risk of fire or electric shock. Installation requires knowledge of luminaires electrical systems. If not qualified, do not attempt installation. Contact a qualified electrician.

To prevent wiring damage or abrasion, do not expose wiring to edges of sheet metal or other sharp objects.

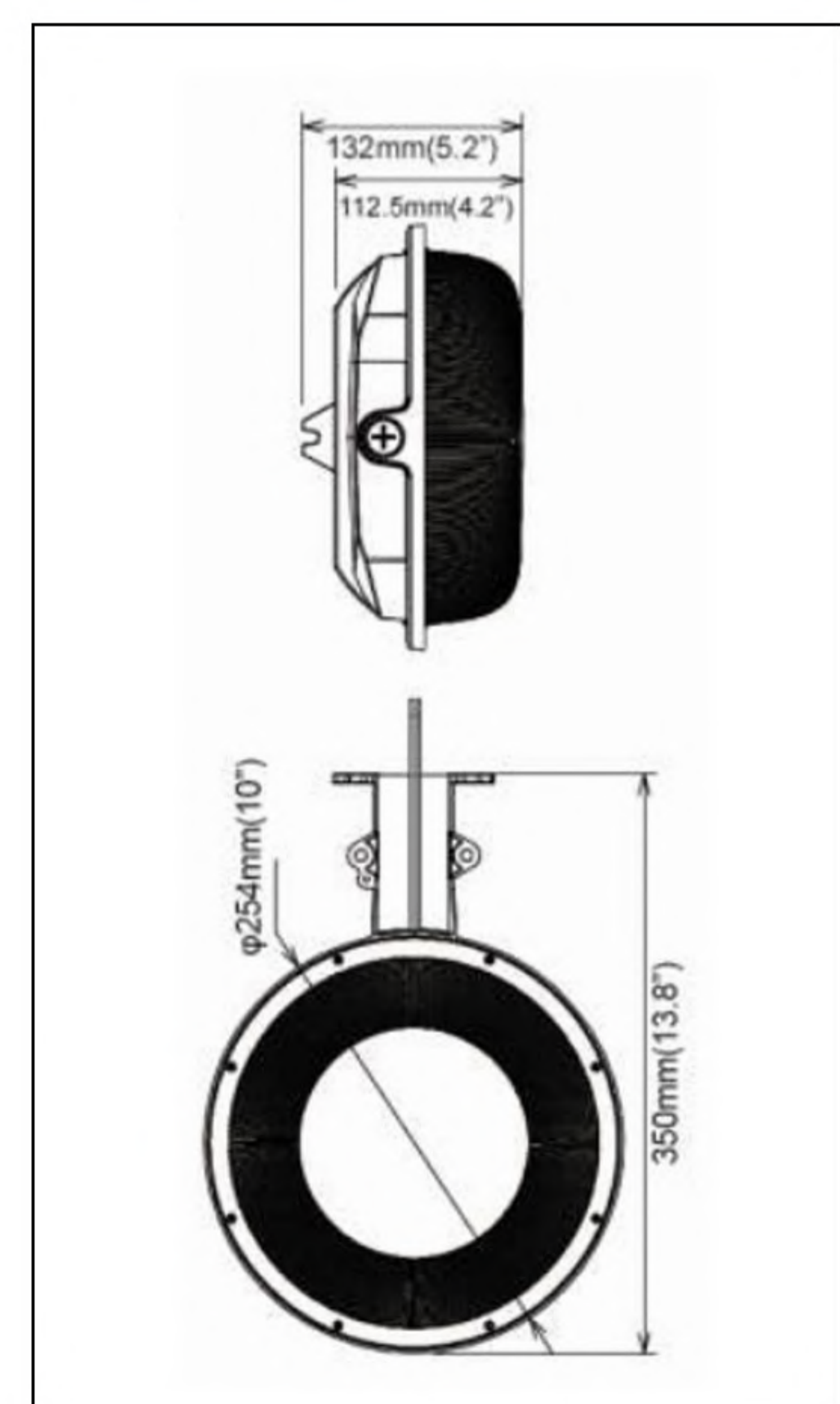
Disconnect power before installing the product or servicing it.

Wait until fixture has cooled down before installing or servicing the fixture.

Min. 90°C Supply Conductors

Warranty Period assumes that the Products are operated for less than 8 hours per day.

PRODUCT DIMENSION





LIGHTING PARAMETERS

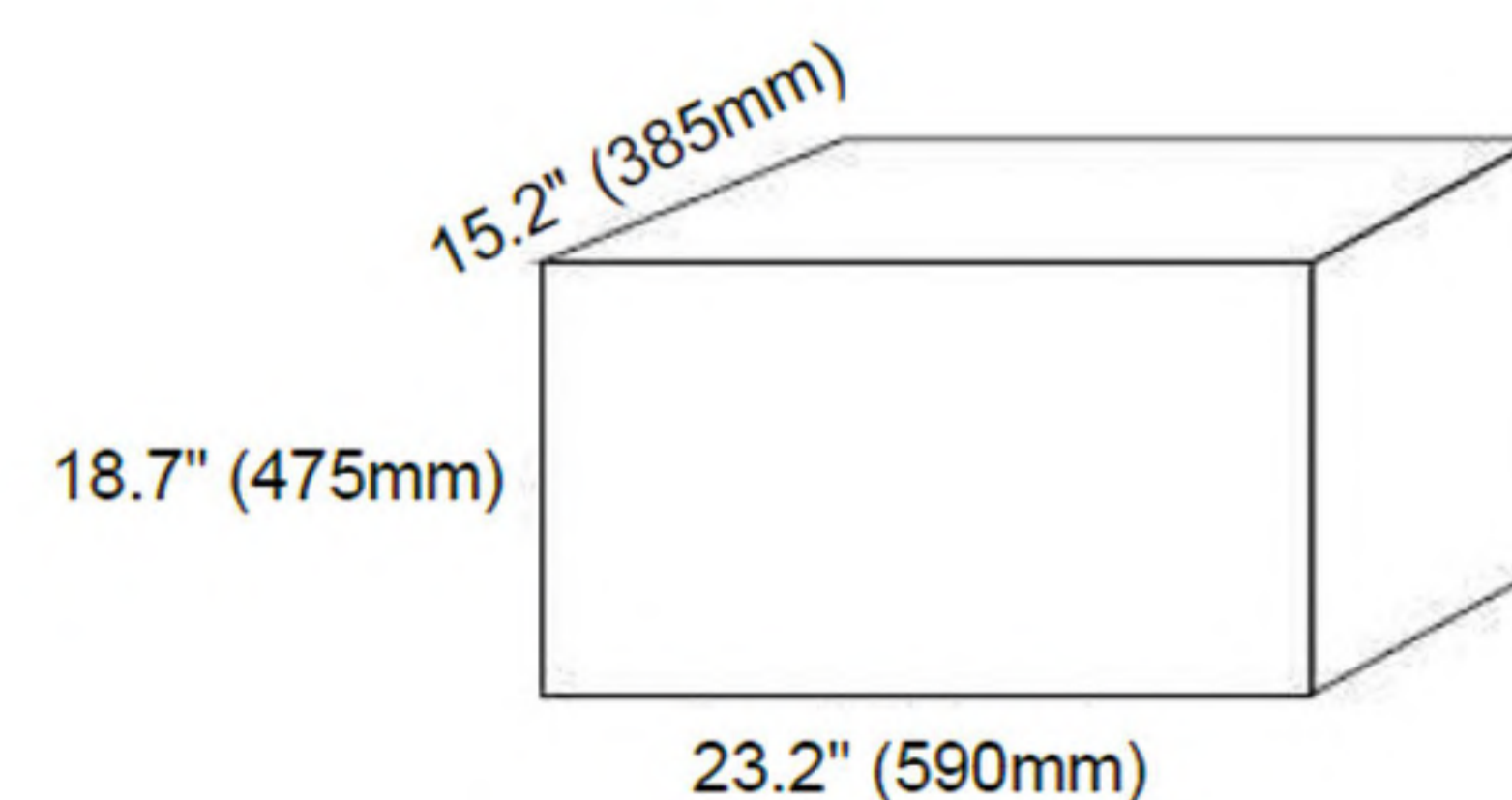
Product Code	KLBR58BNXX
Wattage	58W
Color Temperature	3000K, 4000K, 5000K
Application	Outdoor
CRI	>80
Dimension	13.8"L X 10"W X 5.2"H (350 x 254 x 132mm)
Listing	ETL
Input Voltage	100-277 VAC, 50/60HZ
Light Type	LED Barn Light
Lumen	7250 LM
Lumen Efficacy	125 lm/w
Operating Humidity	<95% RH
Operating Temperature	-40°C To +40°C
Beam Angle	140.5 degrees
Storage Temperature	-40°C To +40°C
Warranty	5 Years
Water Proof Rating	IP65
Dimmable	No

PRODUCT FEATURES

PRODUCT PACKAGING

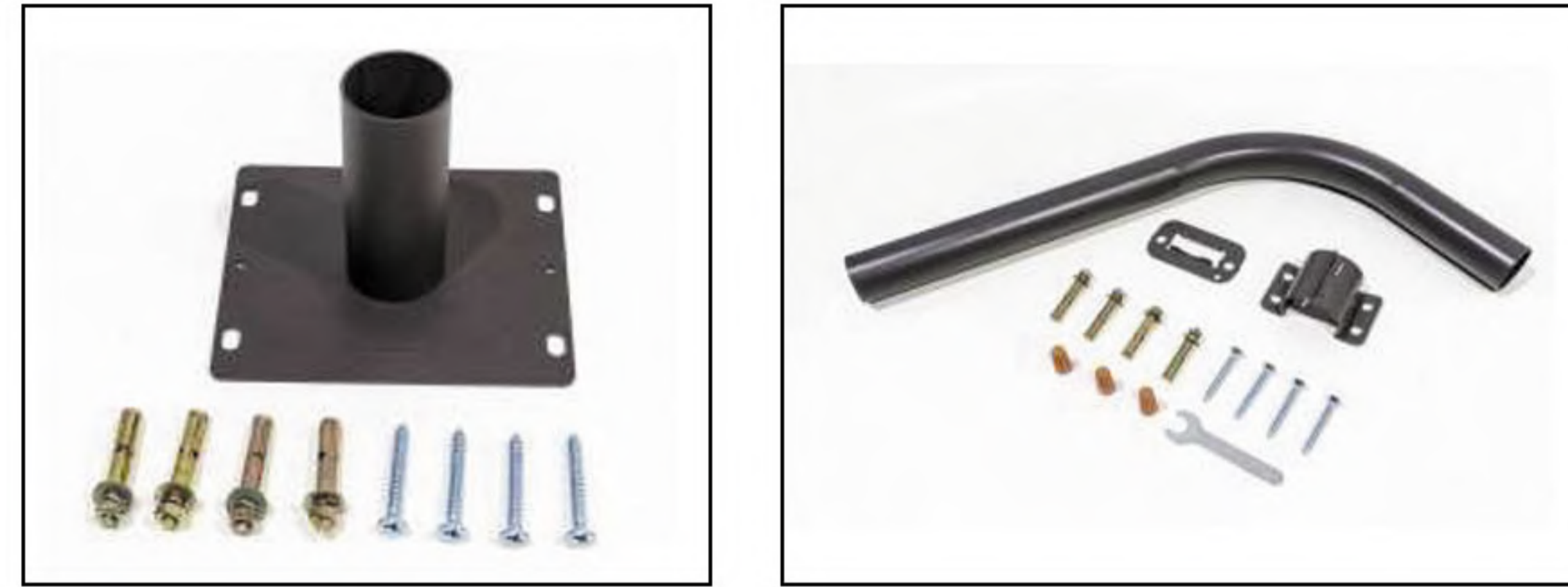
- Description: 58W LED Barn Light
- Universal 100-277V
- Mercury Free: no UV
- Heavy-duty cast aluminum housing.
- Rust and corrosion proof
- Standard pole mount compatible
- Dusk to Dawn with photo control available
- 4KV surge protector inside of driver
- Polyester powder coating
- Photo control: Electrical type with 100-285V
- Mounting: Direct mount or arm mount option

CARTON SIZE	G.W/CARTON	QUANTITY
(590 x 385 x 475mm)	13.2 KGS	6 PCS

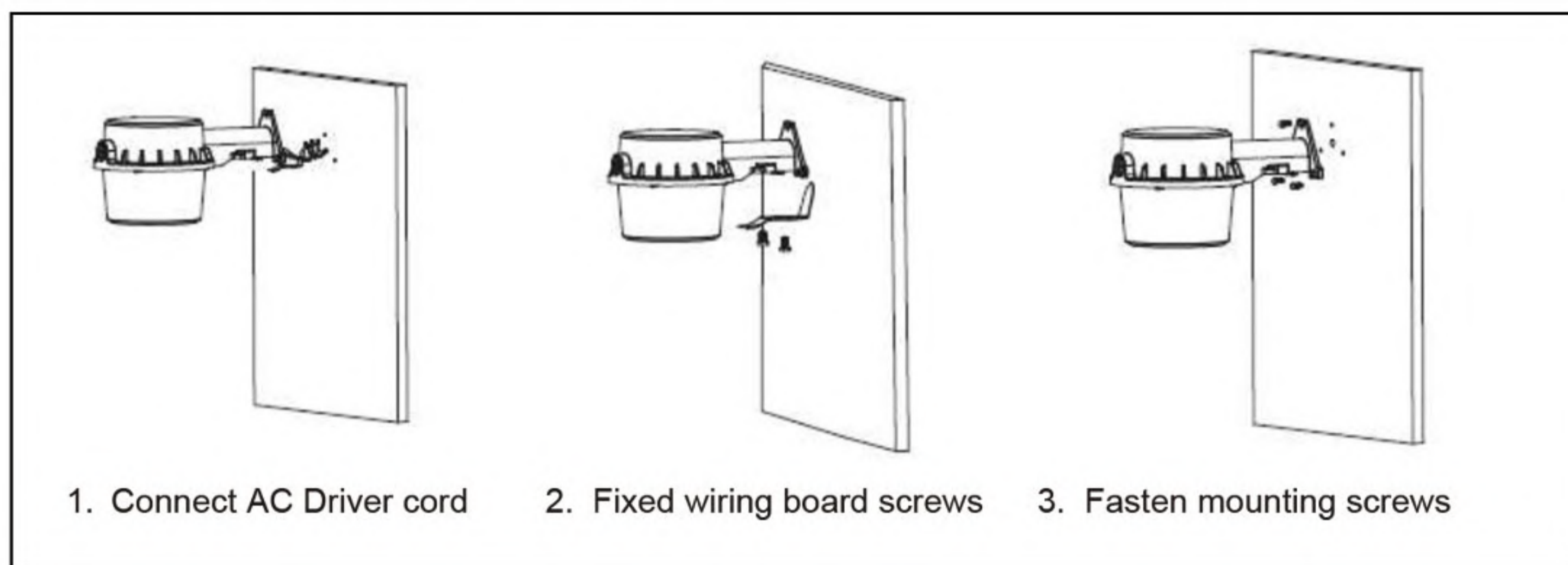


PRODUCT INSTALLATION

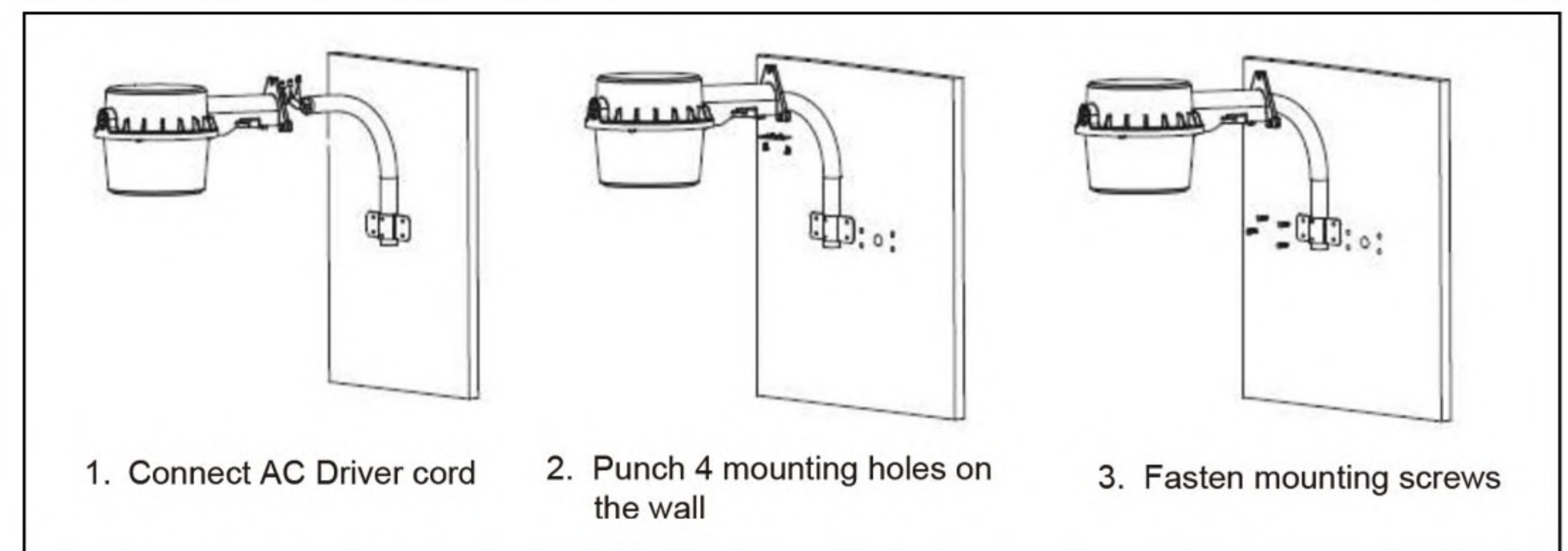
Accessories (Order separately)



Installation: Direct Mount



Installation: Art Mount



1. Connect the black fixture lead to the voltage supply lead.
2. Connect the white fixture lead to the neutral supply lead.
3. Connect the ground lead to the supply ground lead.
4. To ensure rain tight seal, apply silicon caulking around back edges of fixture.