



Article No	:	
Version	:	09.23
Prepared By	:	
Checked By	:	

# EMERGENCY LIGHT



## ORDERING INFORMATION

Product Code	Voltage	Discharge Time	Remote	Self Diagnostic
CR-7090	120/277V	90 Minutes	/	/
CR-7090-RC	120/277V	90 Minutes	5W	/
CR-7090-AT	120/277V	90 Minutes	/	YES
CR-7090-220	220-240V	180 Minutes	/	/

## FEATURES

- LED Technology
- High Visibility
- Multiple Mounting Options
- Battery Backup for power cut situations
- Photoluminescent Signs that glow in Dark
- Follow Compliance and Regulations- UL Listed

## SPECIFICATIONS

Operating Temperature	-10°C - +45°C
Product Wattage	4.8W
Input Voltage Range	120-277 VAC
Input Frequency	60Hz
Power Factor	1
Battery	3.6V NiCad - Maintenance Free
Charging Time	24 Hours
Discharge Time	90 Minutes
Mounting	Wall & Ceiling
Finish	White
Frame Material	ABS
Ingress Protection	IP20
Impact Protection	03

Bug eye lights are a type of emergency lights used in a variety of indoor and outdoor applications. As the name suggests, these lights resemble bug eyes in terms of appearance. The design of a bug eye lighting fixture involves two LED light heads and a housing. The light heads contain LED lights and lighting accessories. Made from plastic, the housing is built to be strong and durable.



Warranty



Rated Life



+1 864 401 8156  
sales@krutled.com

111 Preamble Ct, Anderson, SC- 29621, United States.

All rights reserved. Krut LED reserves the right to make changes to specifications and/or discontinue any product at anytime without the notice. Information presented in this document is reliable and accurate, it does not represent any quotation or contact. No liability will be accepted by the contributor by the publisher for any consequences for its use. Reproduction in whole or part is prohibited without prior consent of the copyright owner.

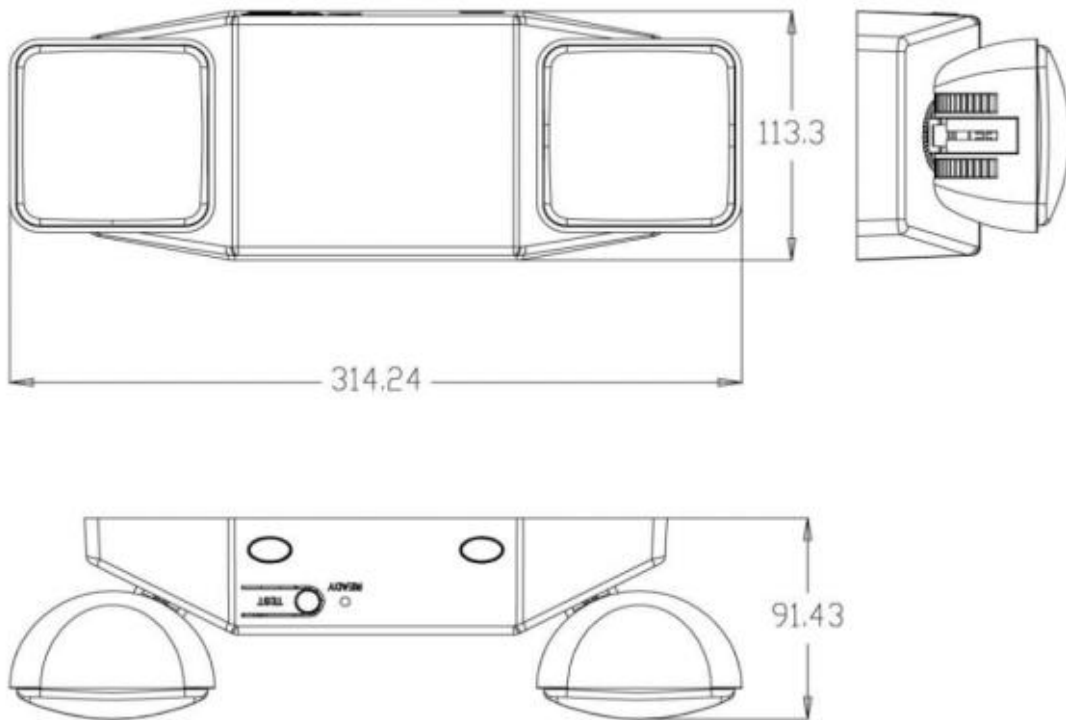


Article No	:	
Version	:	09.23
Prepared By	:	
Checked By	:	

## OPTICAL PARAMETERS

Total Lumens (Min)	320lm
Product Efficacy (Min)	77.86 lm/W
Product CCT	6500K
CCT Range	5500-7500K
Product CRI	> 80 Ra
Product Beam Angle	27.3 DEG

## DIMENSION



## SHIPPING

Product Dimension (in)	Case Lot	Master Carton Dim. (in)	40' HQ Container Qty	Pallet Qty
12.37 x 4.46 x 3.60	10	13.27 x 10.31 x 16.10	1960 Nos	190 Nos

**+1 864 401 8156**  
**sales@krutled.com**  
**111 Preamble Ct, Anderson, SC- 29621, United States.**

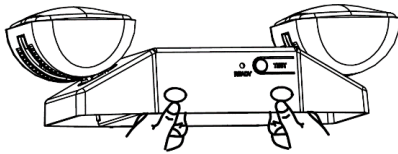
All rights reserved. Krut LED reserves the right to make changes to specifications and/or discontinue any product at anytime without the notice. Information presented in this document is reliable and accurate, it does not represent any quotation or contact. No liability will be accepted by the contributor by the publisher for any consequences for its use. Reproduction in whole or part is prohibited without prior consent of the copyright owner.

## INSTALLATION INSTRUCTIONS

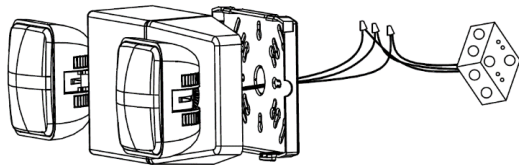
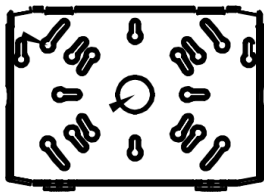
**NOTE: First turn off electricity.**

### Wall mounting (Max. mounting height: 19.6ft)

1. Remove mounting plate from fixture.



2. Knockout in back of mounting plate and push wires through the hole.
3. Securely attach mounting plate to J-box. Max mounting height is 8.30ft.

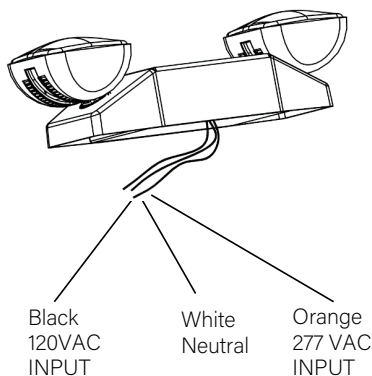


### 4. ELECTRICAL CONNECTIONS

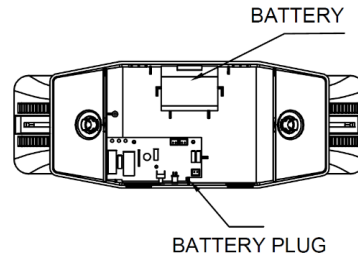
Make the proper supply wire connections.

If using 120VAC, connect the black and White wires to the building utility.

If using 277 VAC, connect the Orange and White wires to the building utility.



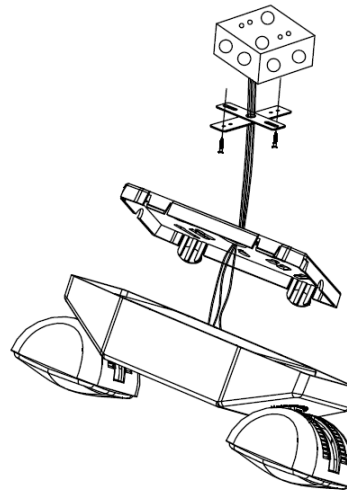
5. Connect the battery to connector on the PCBA.



6. Snap fixture onto mounting plate and ensure no wires are pinched. Make sure unit is fully attached.
7. Restore power and press test button. Battery powered LED will come on, AC light will turn off.

### Ceiling Mounting

1. Open top cover and knockout on the top of fixture.
2. Secure the mounting plate to tube with nut.



3. Reference step 4 - 7 in wall mounting above for ceiling mounting.