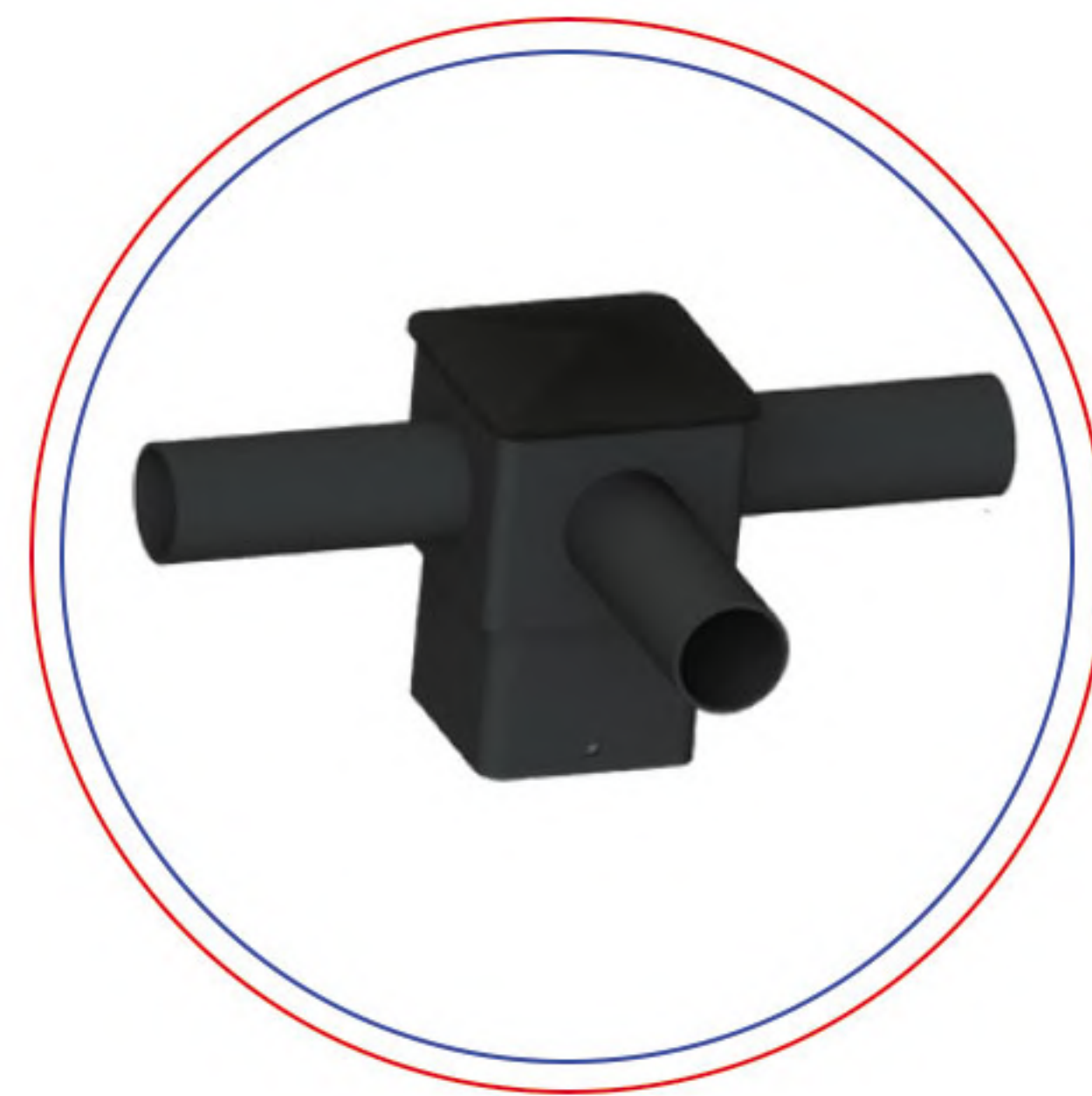
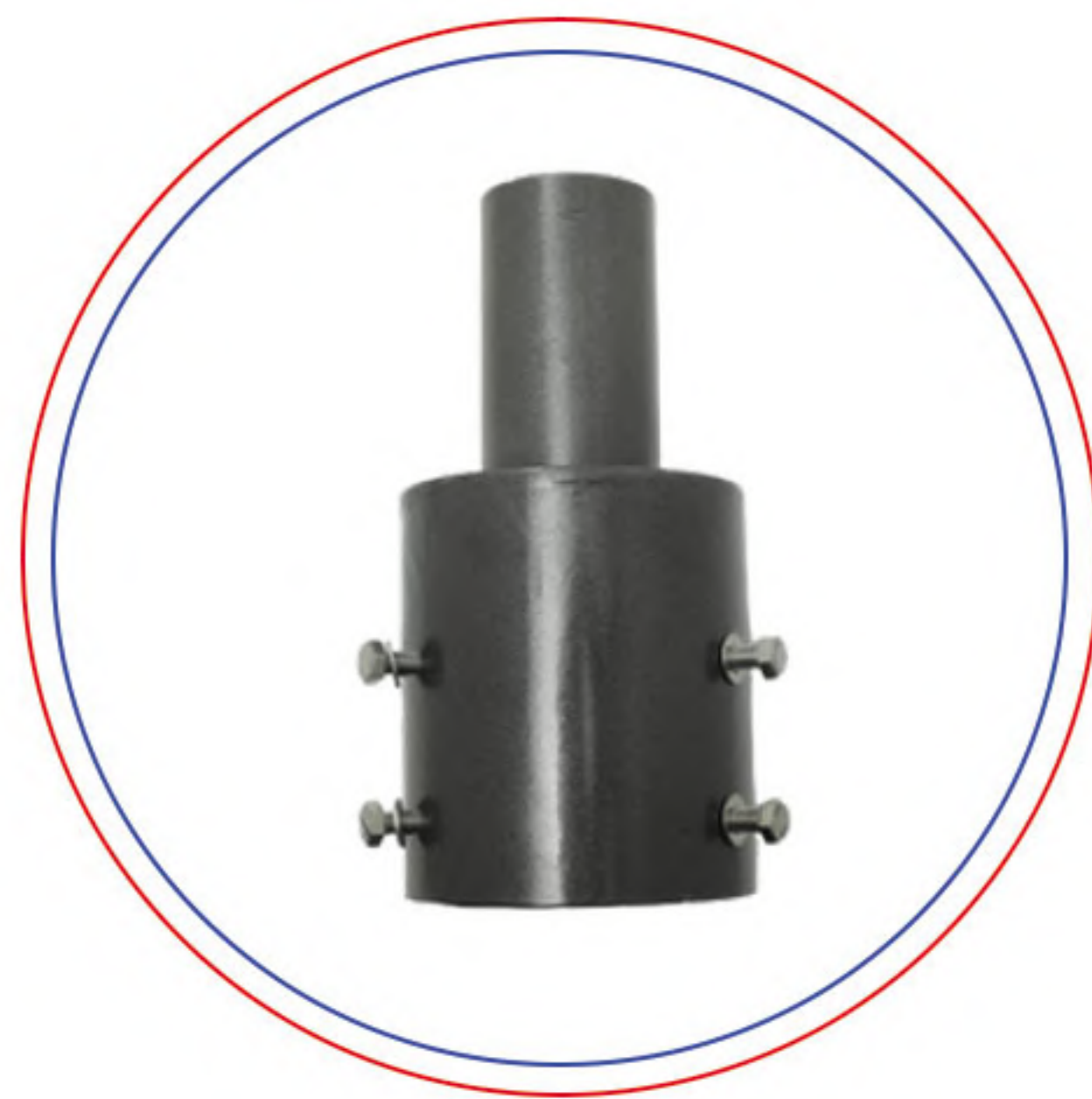




Commercial &  
Industrial Lighting

# BRACKETS AND ADAPTERS

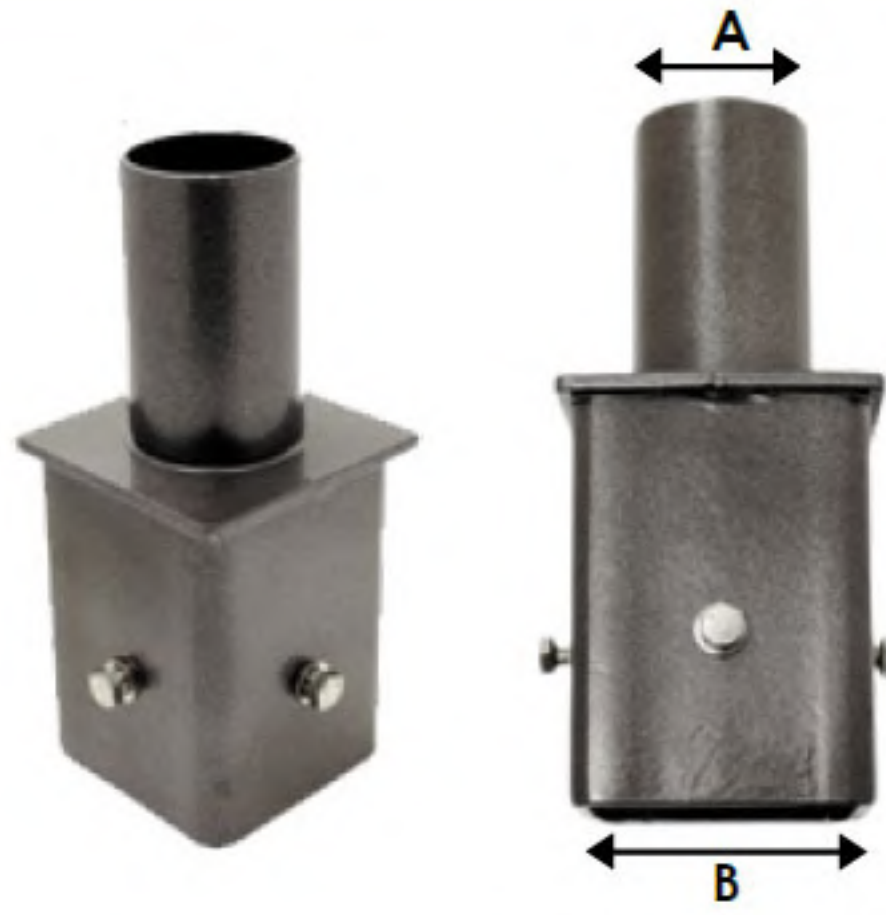
## TENON ADAPTERS & REDUCERS





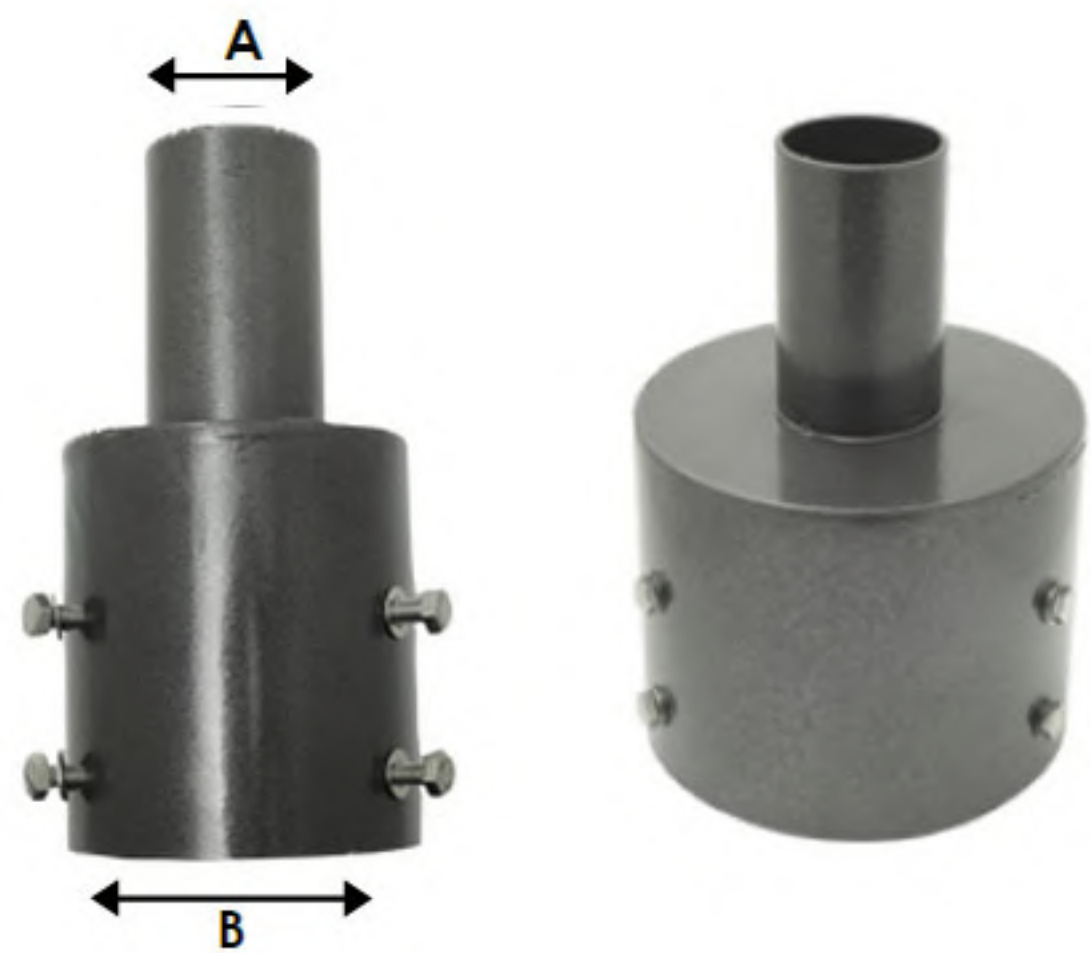
**TENON ADAPTERS & REDUCERS**

**INTERNAL TENON ADEPTER FOR SQUARE POLE**



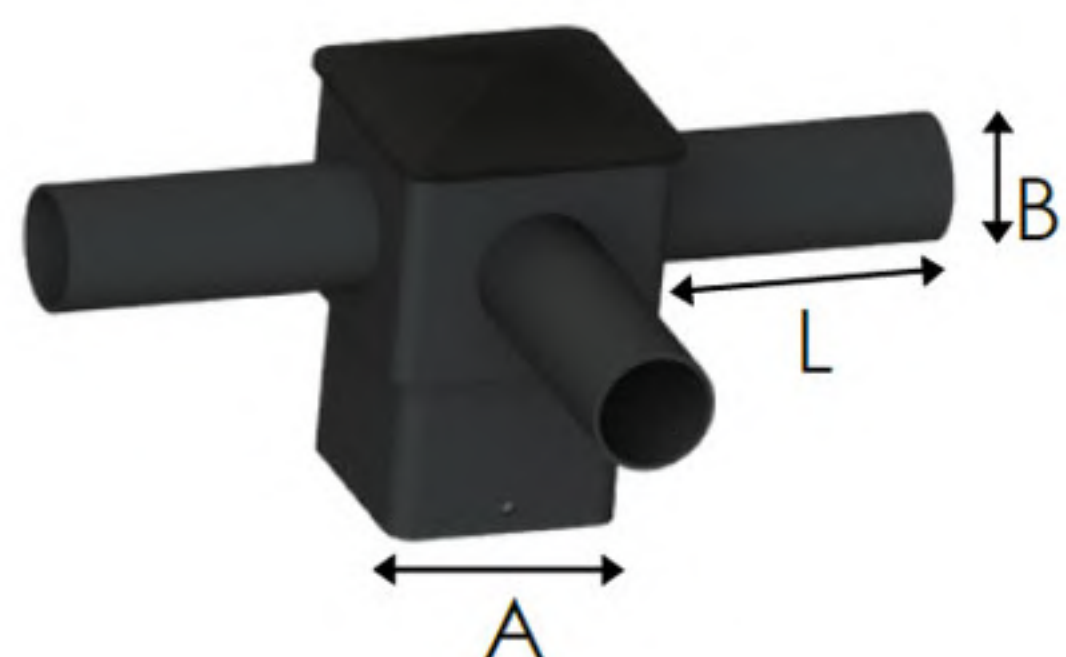
PRODUCT CODE	A=OD	B	LENGTH	WEIGHT
KL-RD-4"SQ-SI-2 3/8"	2-3/8"	3-9/16"	8"	5.6 lb
KL-RD-5"SQ-5"S-SI-2 3/8"	2-3/8"	3-9/16"	8"	9.7 lb

**TENON REDUCER FOR ROUND POLE**



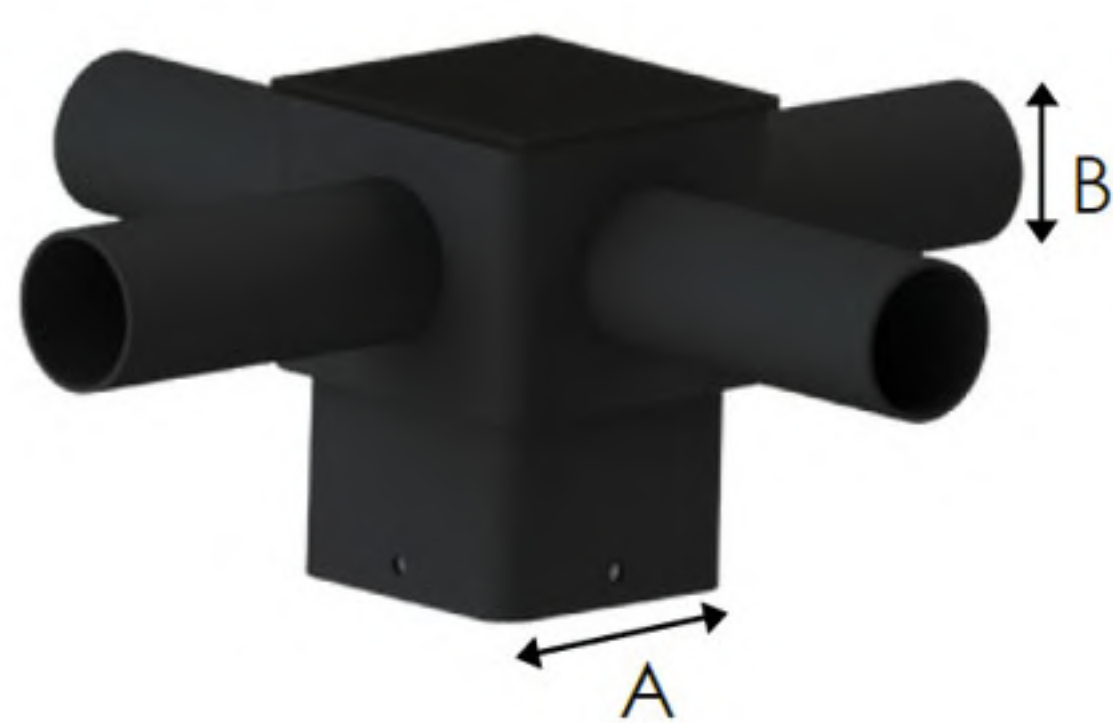
PRODUCT CODE	A=OD	B=OD	LENGTH	WEIGHT
KL-RD-3"R-SO-2 3/8"	2-3/8"	3-1/4"	6"	4.0 lb
KL-RD-4"R-SO-2 3/8"	2-3/8"	4-1/4"	6"	4.9 lb
KL-RD-5"R-SO-2 3/8"	2-3/8"	5-1/4"	6"	7.8 lb
KL-RD-6"R-SO-2 3/8"	2-3/8"	6-1/4"	6"	8.8 lb

**TENON REDUCER FOR SQUARE POLE WITH 3 BRACKETS**



PRODUCT CODE	A	B=OD	HEIGHT	LENGTH	WEIGHT
KL-RD-4SQ-3A-90-SI-2 3/8"	3.1/2"	2-3/8"	8"	6"	8.1 lb
KL-RD-5SQ-3A-90-SI-2 3/8"	4.1/2"	2-3/8"	8"	6"	10.3 lb

**TENON REDUCER FOR SQUARE POLE WITH 4 BRACKETS**



PRODUCT CODE	A	B=OD	HEIGHT	LENGTH	WEIGHT
KL-RD-4SQ-4A-90-SI-2 3/8"	3.1/2"	2-3/8"	7"	6"	8.7 lb
KL-RD-5SQ-4A-90-SI-2 3/8"	4.1/2"	2-3/8"	7"	6"	11.6 lb