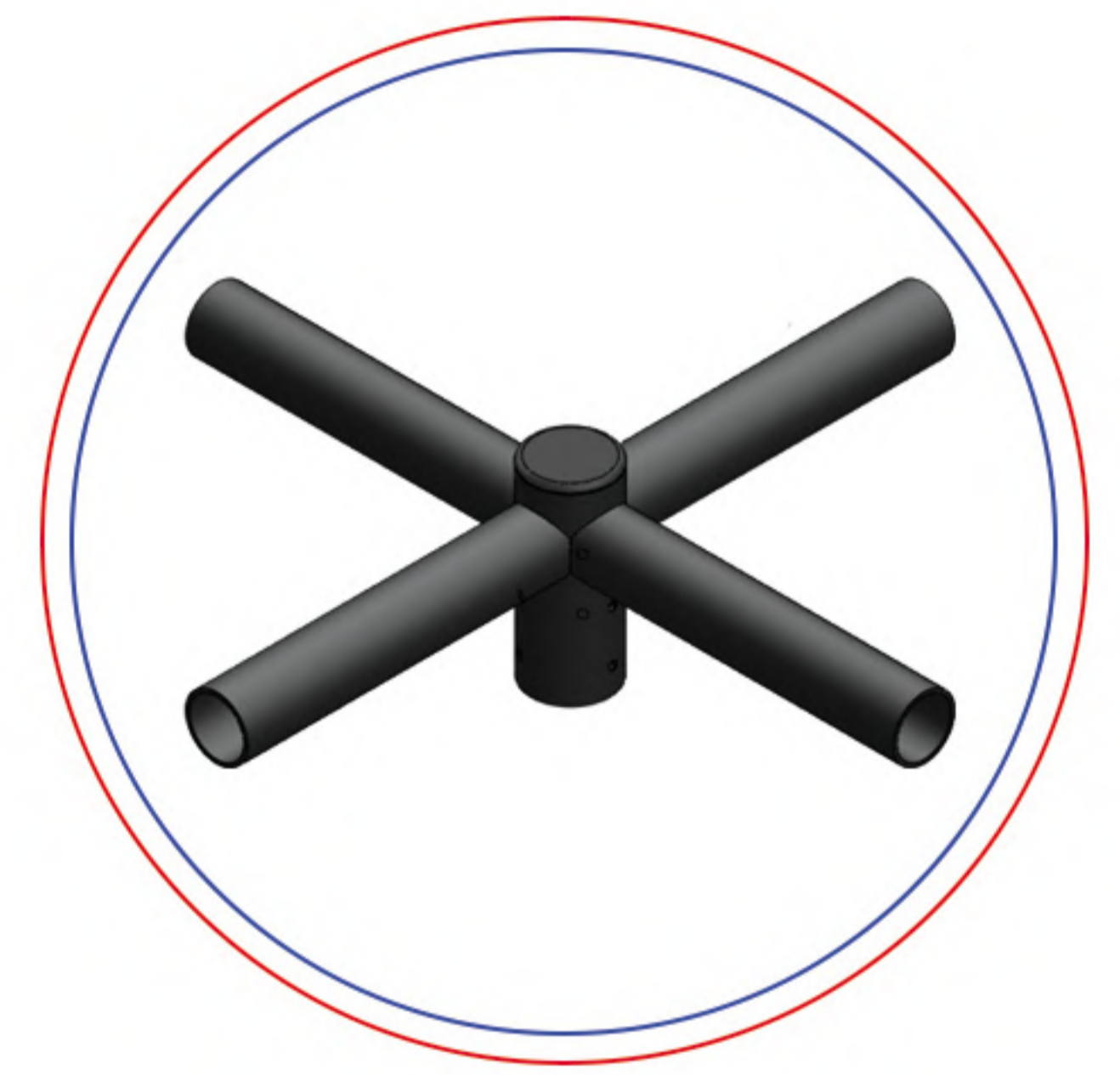
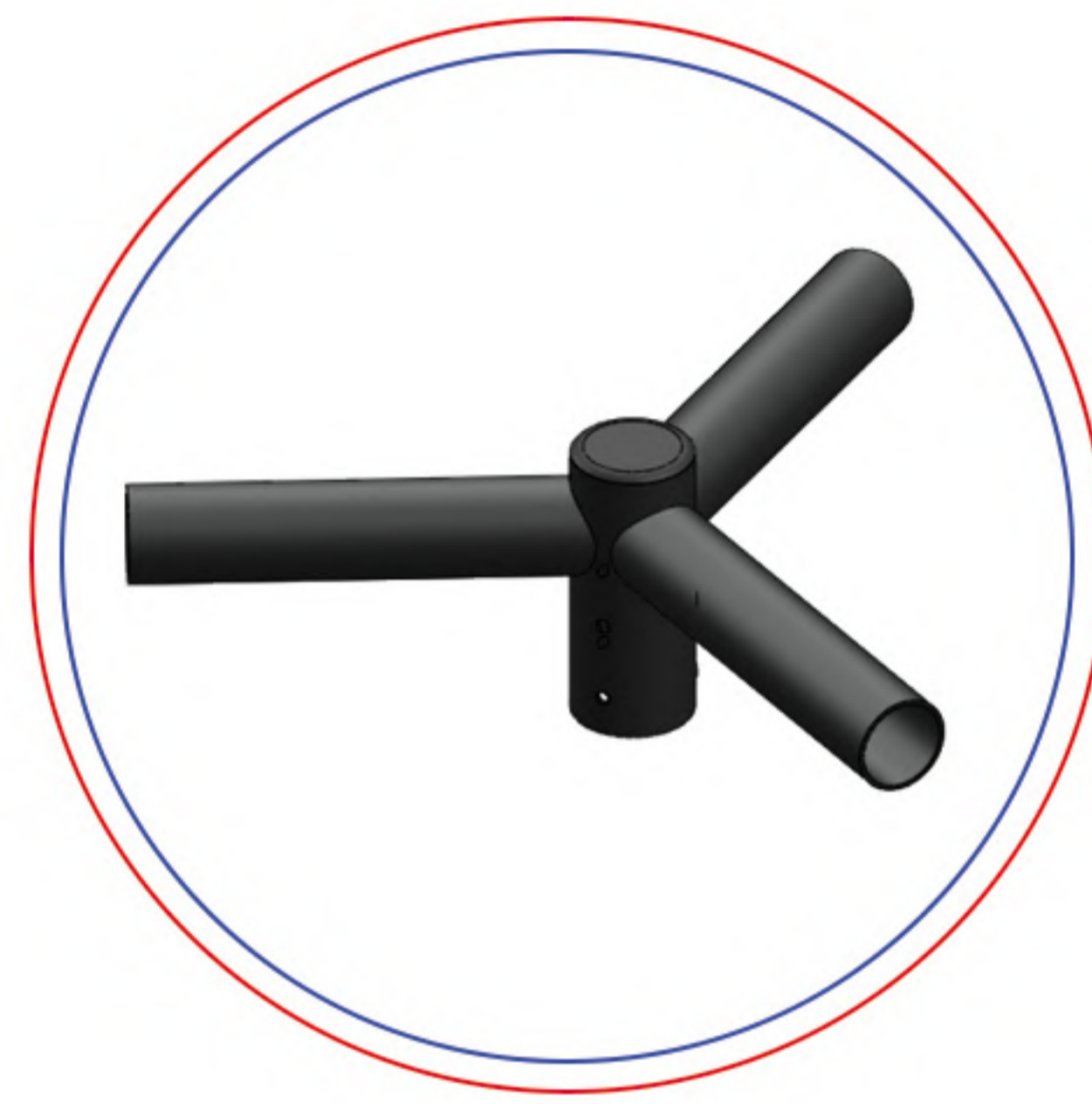
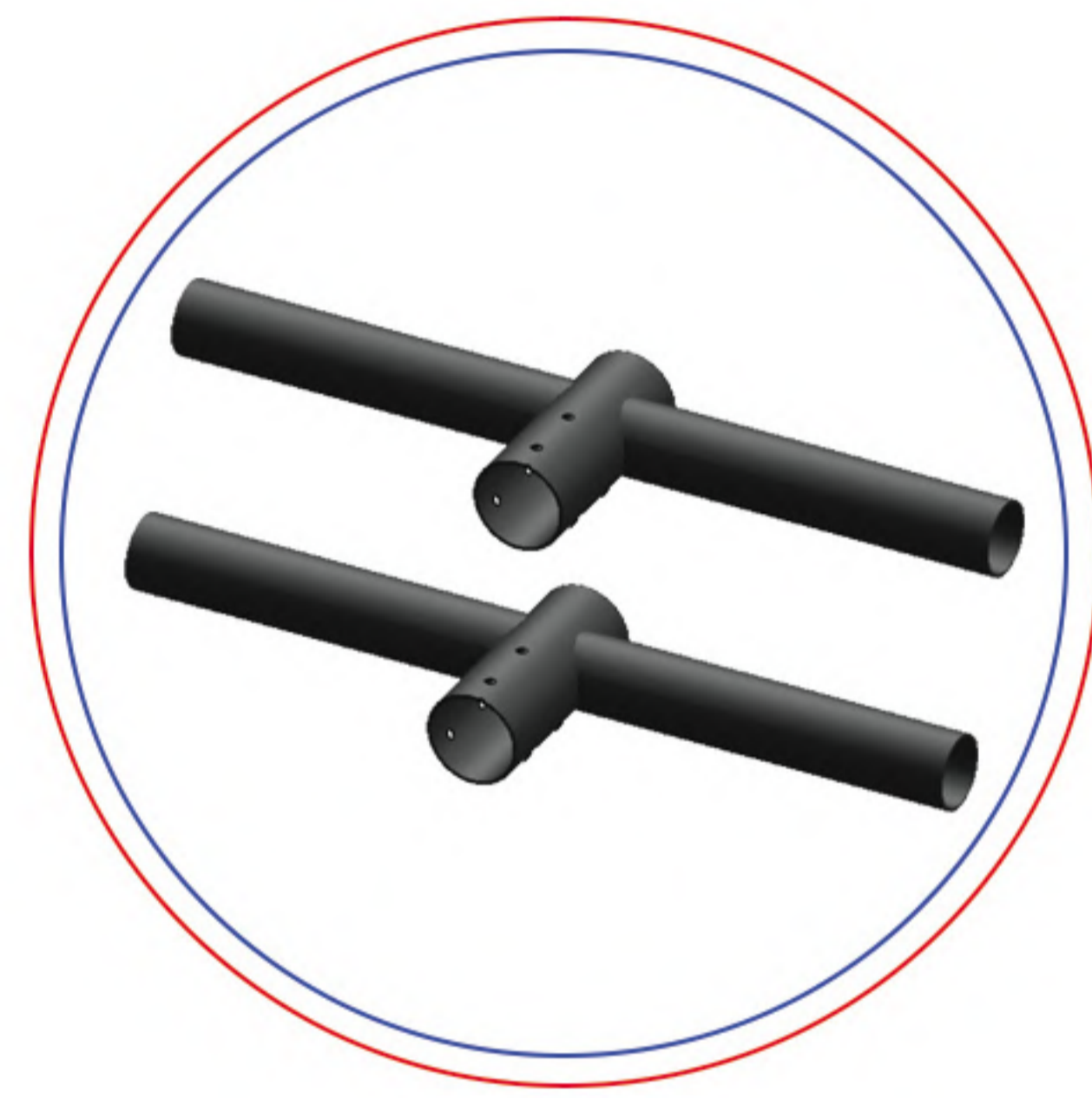
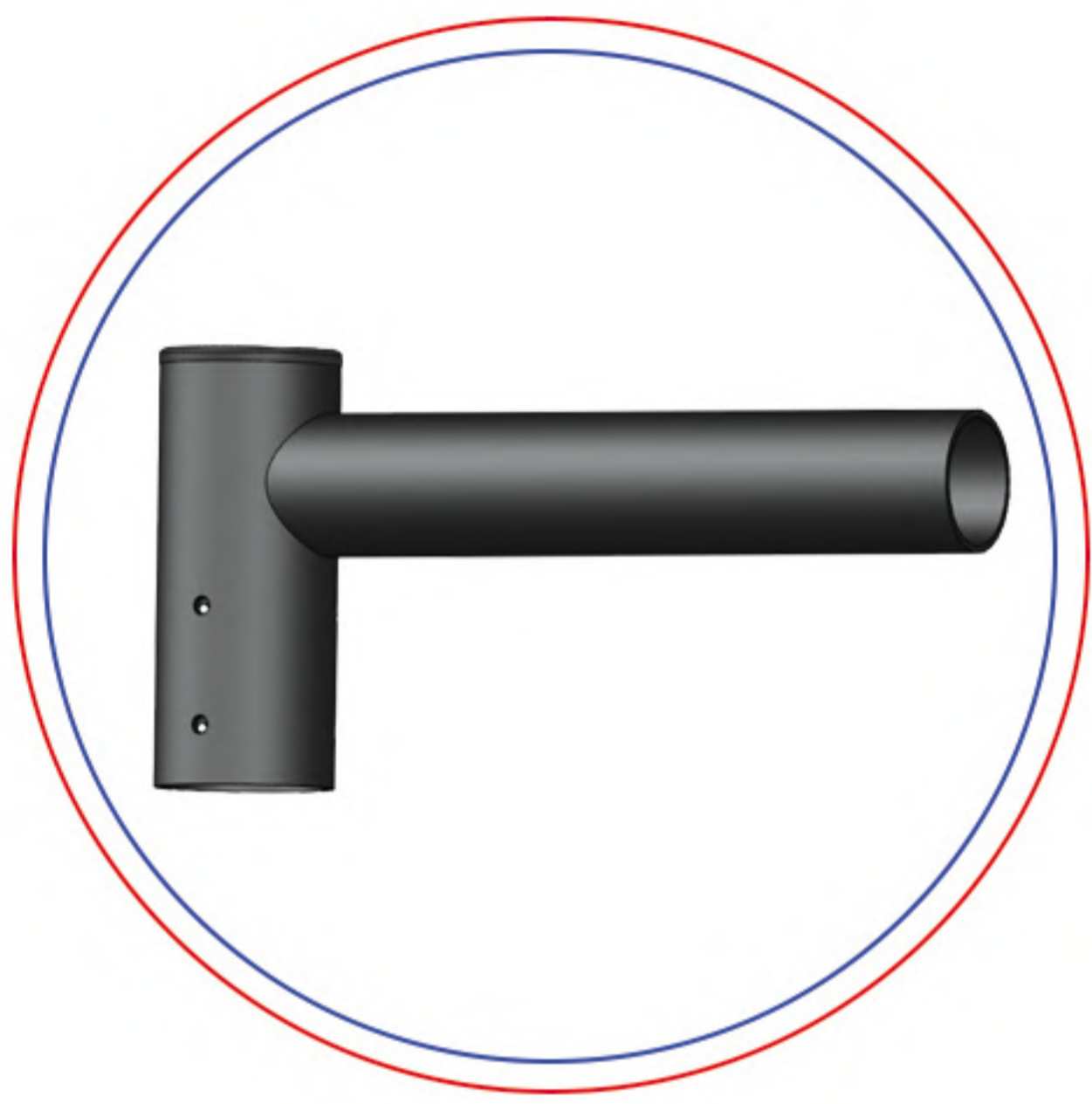




Commercial &
Industrial Lighting

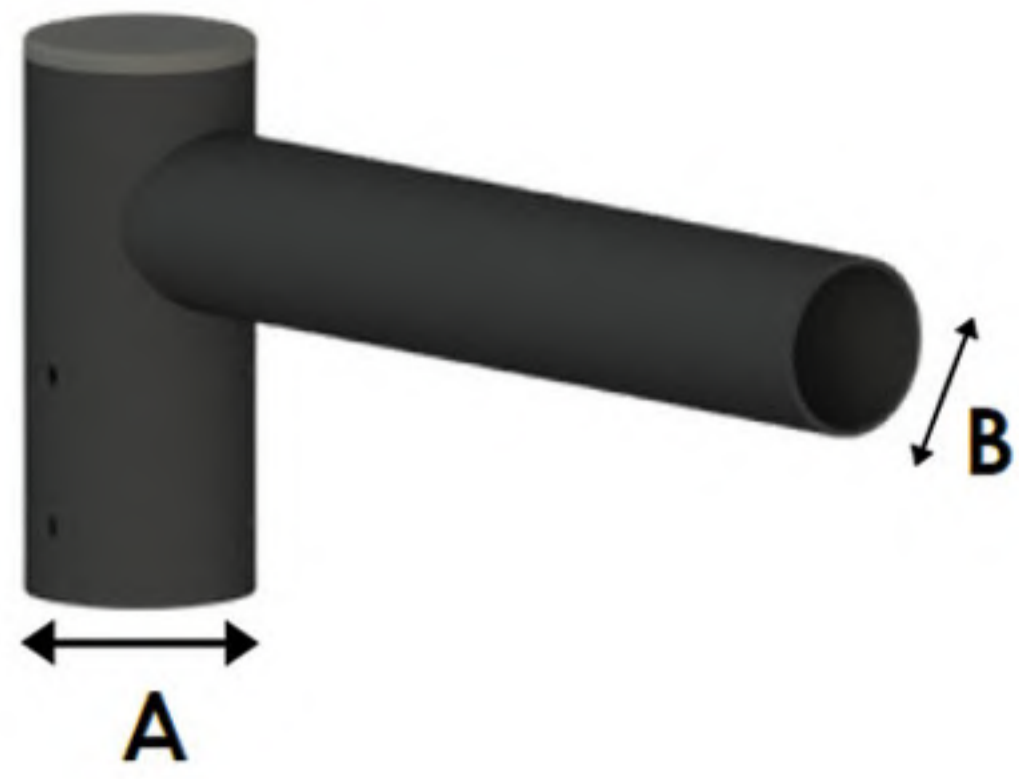
BRACKETS AND ADEPTERS

SPOKE BRACKETS



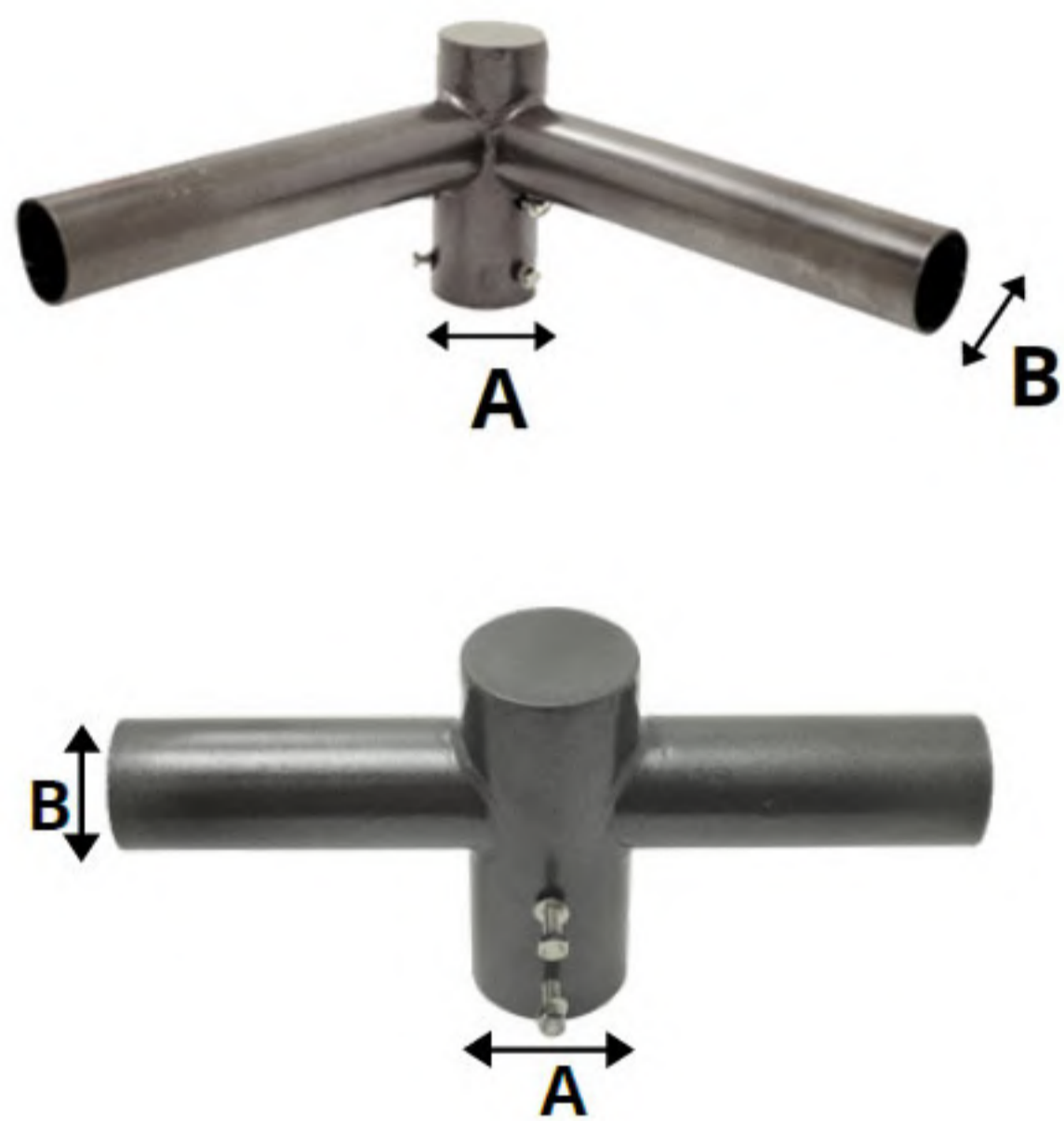
SPOKE BRACKETS

SPOKE BRACKET - ONE ARM



PRODUCT CODE	A=OD	B=OD	HEIGHT	WEIGHT
KL-BR-SP-1-3"R	3"	2-3/8"	6"	4.2 lb
KL-BR-SP-1-5"R	3"	2-3/8"	12"	5.5 lb

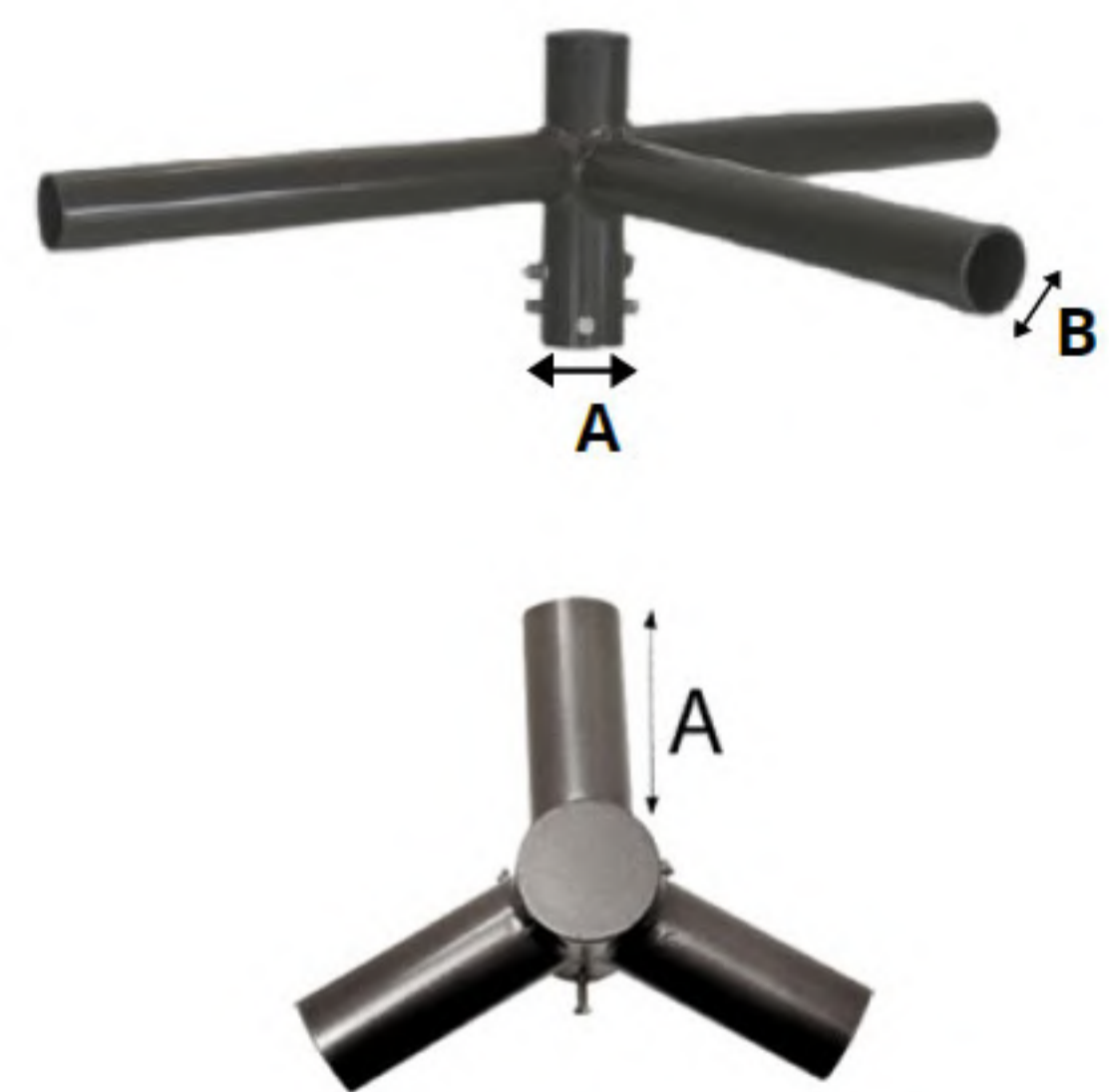
SPOKE BRACKET - TWO ARM



PRODUCT CODE	A=OD	B=OD	LENGTH	WEIGHT
KL-BR-SP-2-90-3"R	3"	2-3/8"	6"	5.2 lb
KL-BR-SP-2-90-12H-2 3/8"	3"	2-3/8"	12"	7.9 lb

PRODUCT CODE	A=OD	B=OD	LENGTH	WEIGHT
KL-BR-SP-2-180-12H-2 3/8"	3"	2-3/8"	12"	7.9 lb

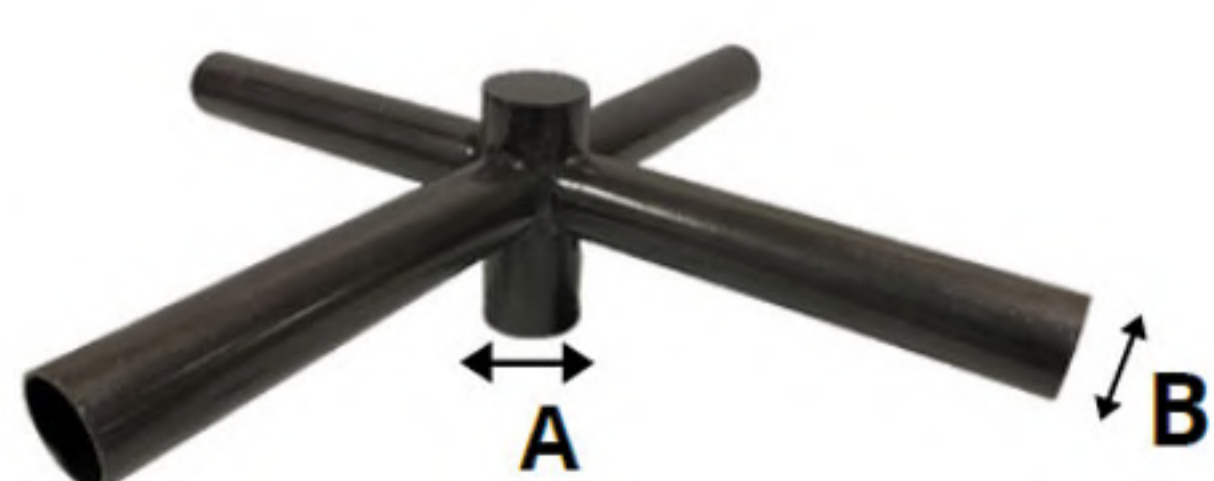
SPOKE BRACKET - THREE ARM



PRODUCT CODE	A=OD	B=OD	LENGTH	WEIGHT
KL-BR-SP-3-90-2 3/8"	3"	2-3/8"	6"	

PRODUCT CODE	A=OD	B=OD	LENGTH	WEIGHT
KL-BR-SP-3-120-2 3/8"	3"	2-3/8"	6"	

SPOKE BRACKET - FOUR ARM



PRODUCT CODE	A=OD	B=OD	LENGTH	WEIGHT
KL-BR-SP-4-90-2 3/8"	3"	2-3/8"	6"	8.5 lb
KL-BR-SP-4-90-12H-2 3/8"	3"	2-3/8"	12"	13.9 lb