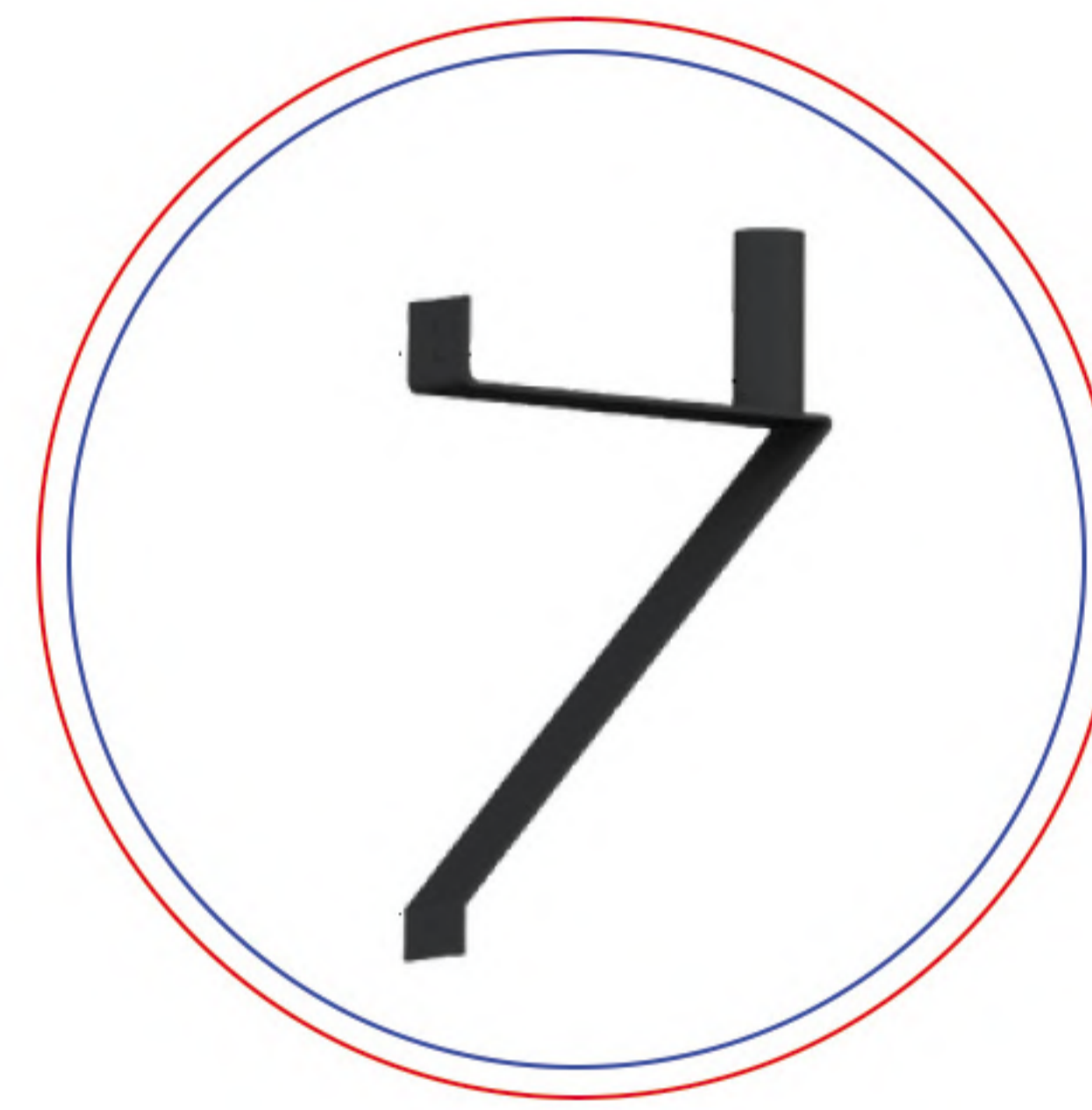
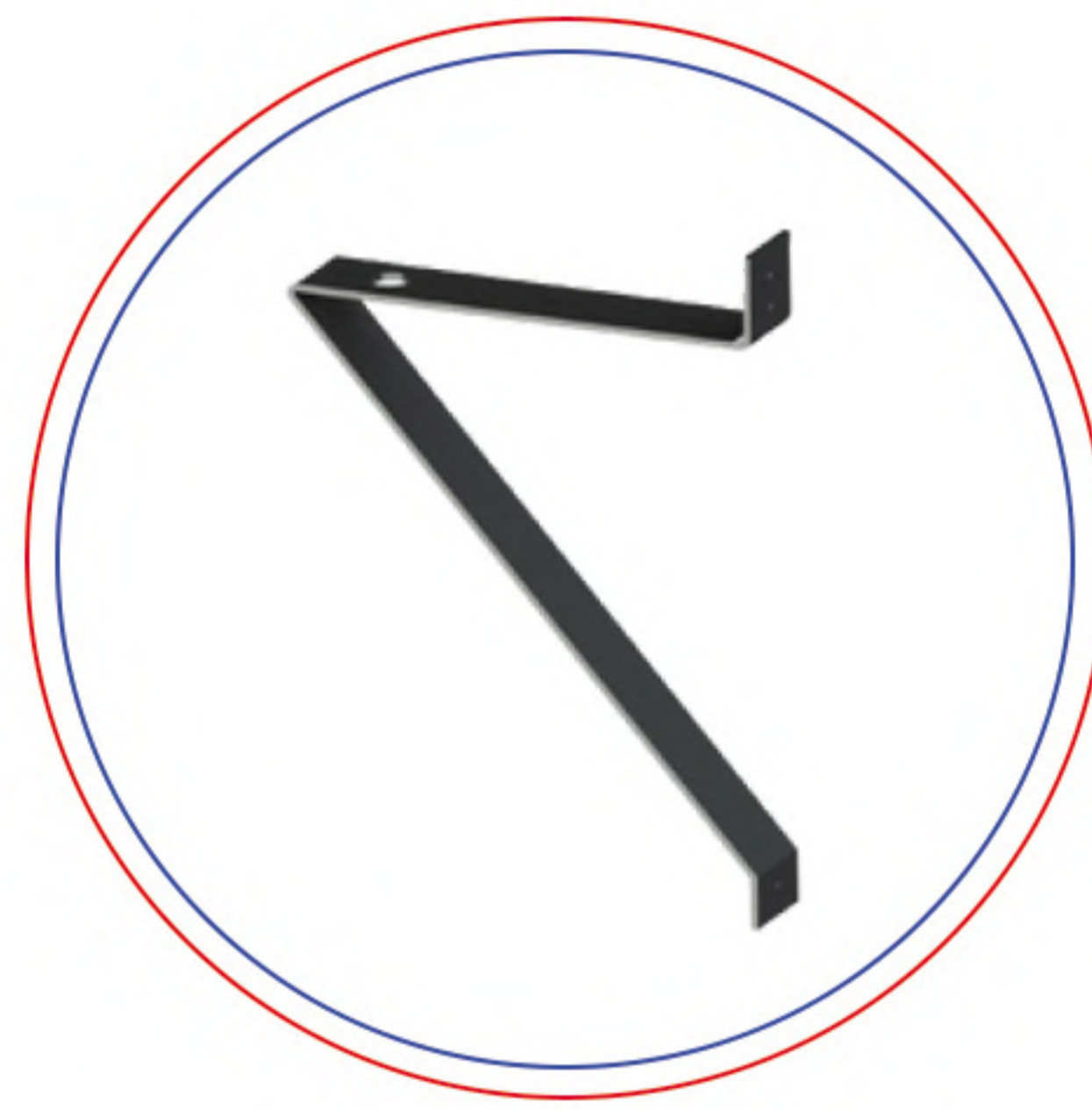
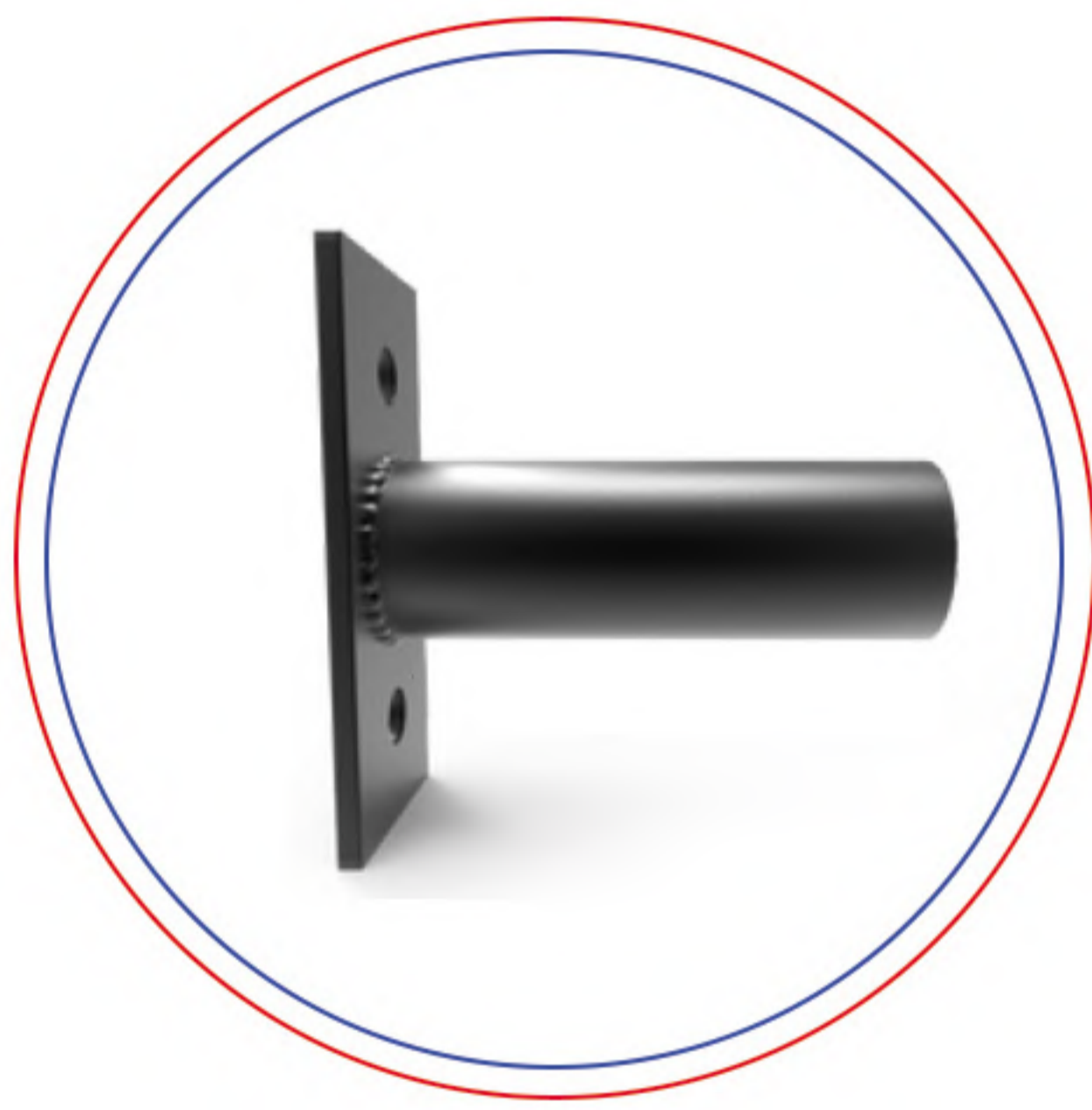




Commercial &  
Industrial Lighting

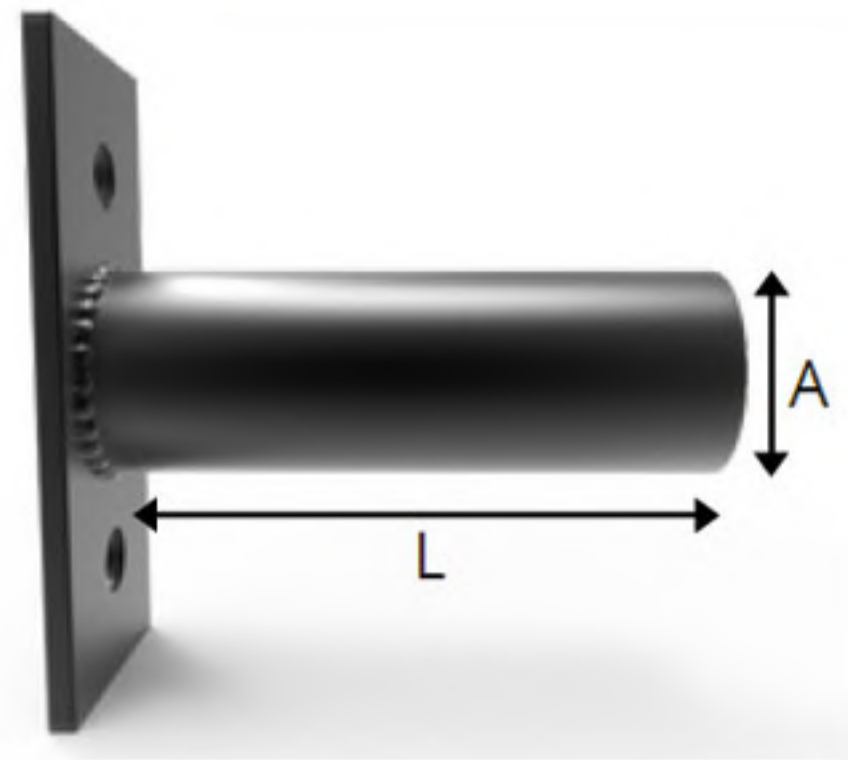
# BRACKETS AND ADEPTERS

## MISCELLANEOUS BRACKETS



**SPORTS LIGHTING BRACKETS**

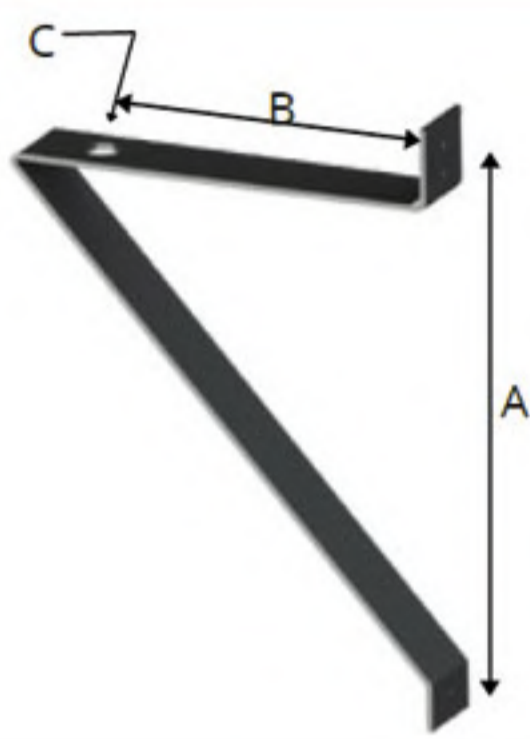
**TWO LIGHT BRACKET SPORTS LIGHTING**



PRODUCT CODE	A=OD	LENGTH	WEIGHT
KL-ST-SPL-7A	2-3/8"	7"	3.7 lb

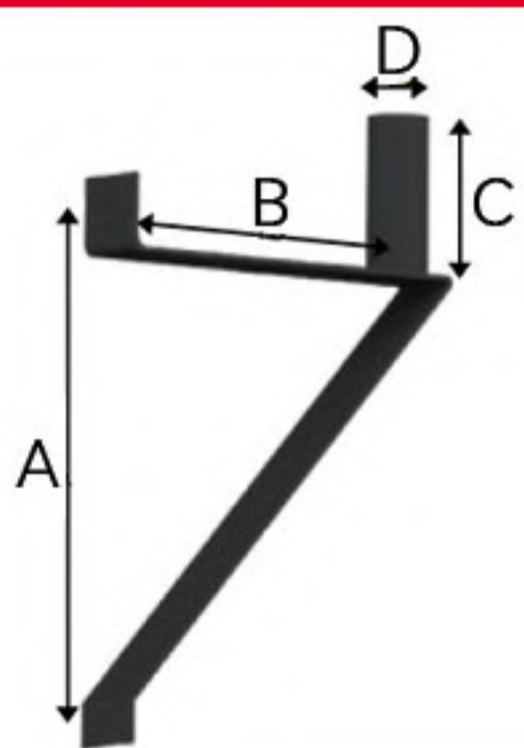
Color Available = Black and Bronze

**SIDE ANGLE WALL MOUNTING BRACKET**



PRODUCT CODE	A	B	D = HOLE	WEIGHT
KL-BR-SAWM - TENON	20"	12-1/2"	1.26"	8.5 lb

**SIDE ANGLE WALL MOUNTING BRACKET WITH TENON**



PRODUCT CODE	A	B	C	D = HOLE	E = OD	WEIGHT
KL-BR-SAWMT- TENON	20"	14"	6"	1.26"	2-3/8	9.5 lb