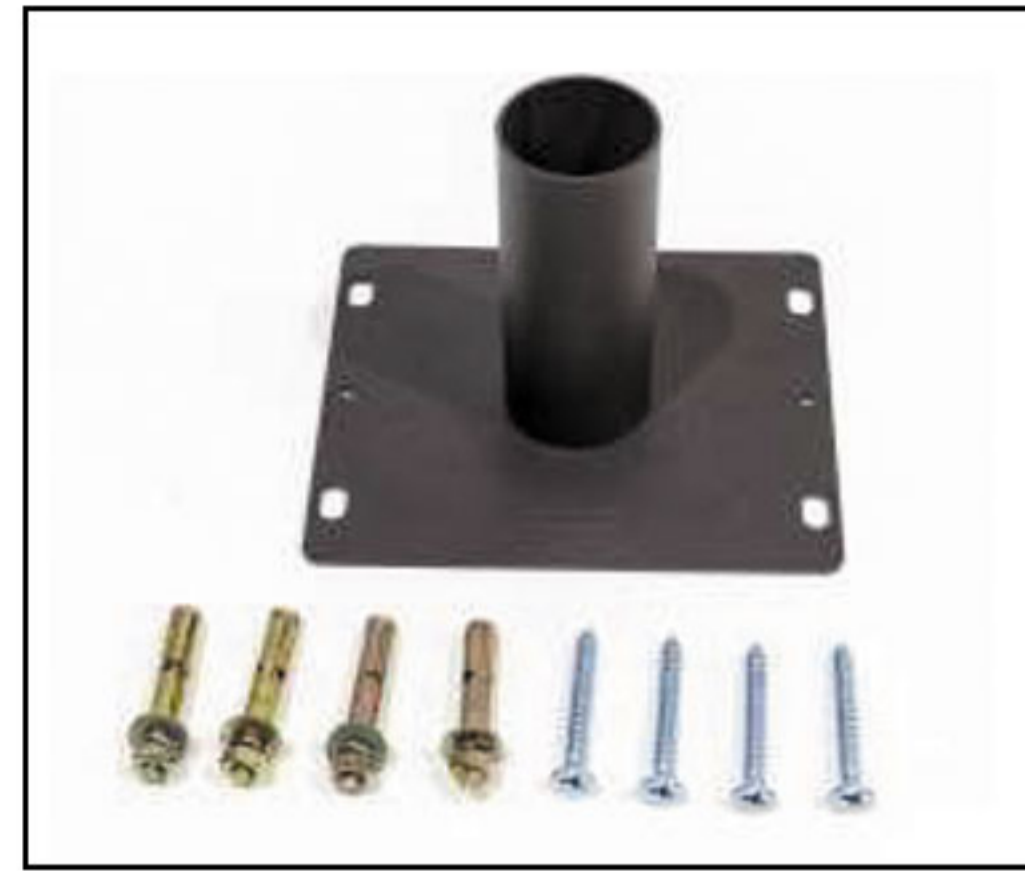
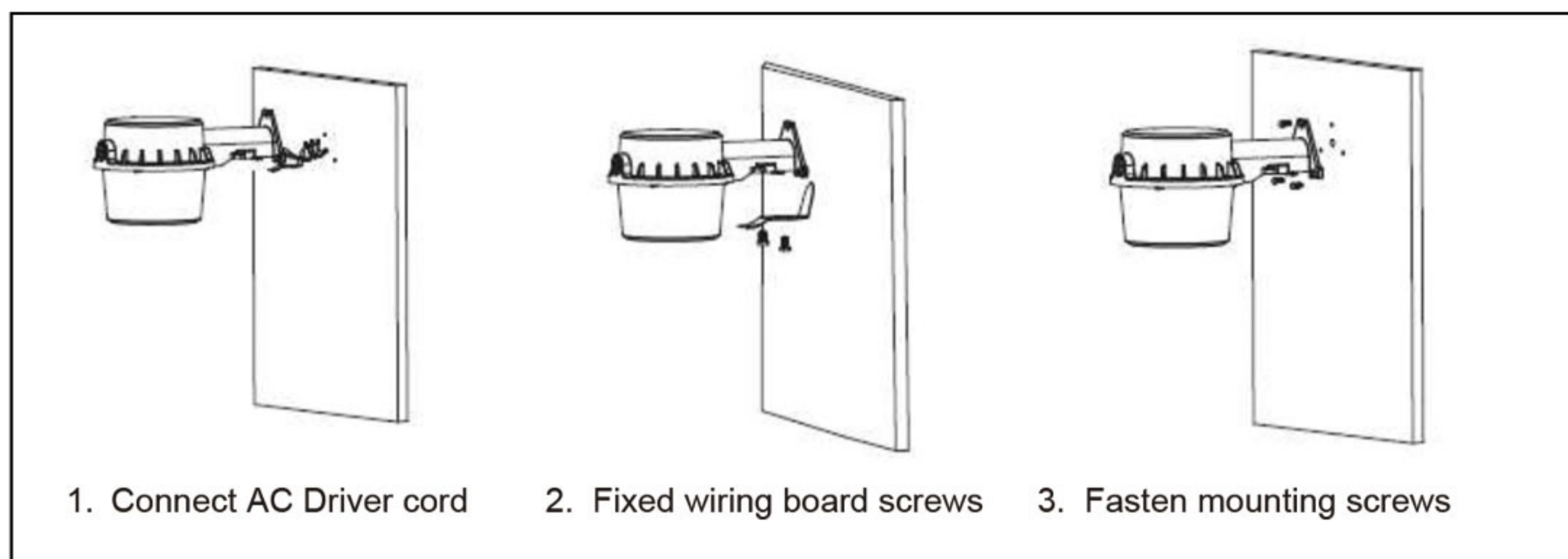


PRODUCT INSTALLATION

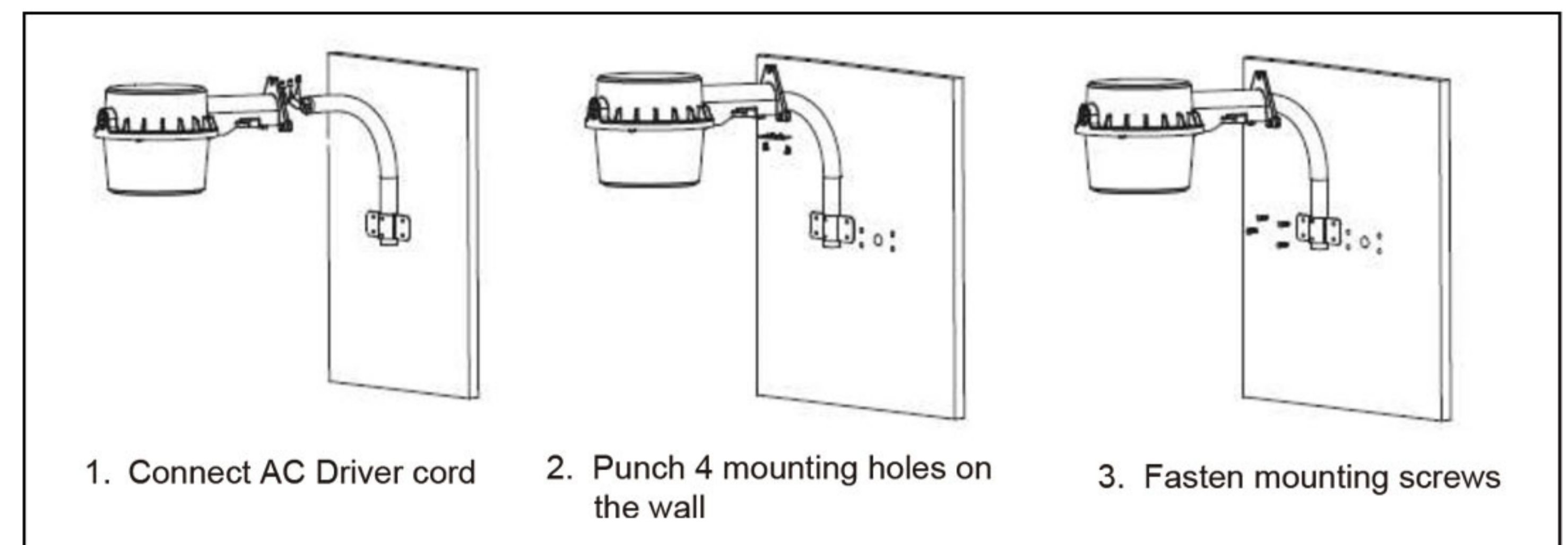
Accessories (Order separately)



Installation: Direct Mount



Installation: Art Mount



1. Connect the black fixture lead to the voltage supply lead.
2. Connect the white fixture lead to the neutral supply lead.
3. Connect the ground lead to the supply ground lead.
4. To ensure rain tight seal, apply silicon caulking around back edges of fixture.