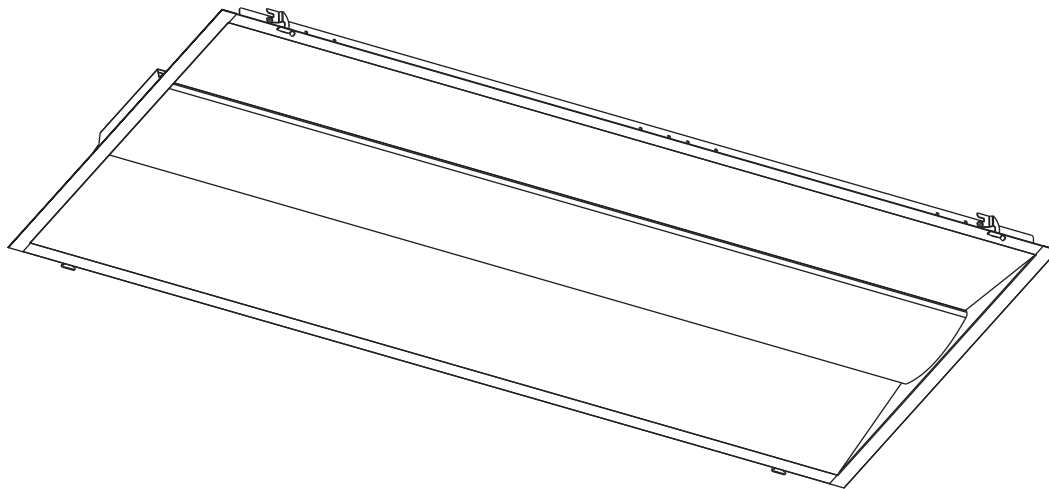


# INSTALLATION GUIDE

## *Rapid Retro* Troffer Door



### **IMPORTANT:**

1. This product must be installed in accordance with the applicable national electrical Code and local building codes by a person familiar with the construction and operation of the Product and the hazards involved.

### **WARNING:**

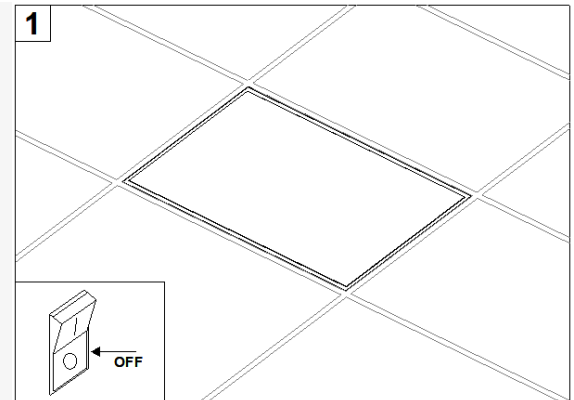
1. Before installation or servicing, turn the power OFF at the circuit breaker or fuse. Place tape over the circuit breaker switch and verify power is OFF at the light fixture.
2. Ground the fixture to avoid potential electric shock.
3. Wear gloves when handling the fixture as edges are sharp.

### **CAUTION:**

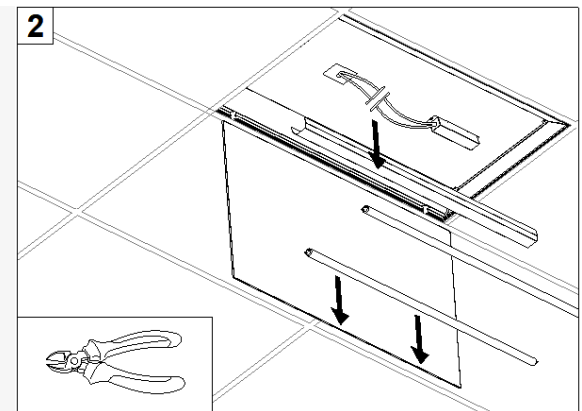
1. Connect the fixture to a 100-277 Volt, 50/60 Hz power source. Any other connection voids the warranty.

## INSTALLATION - STANDARD RECESSED MOUNT

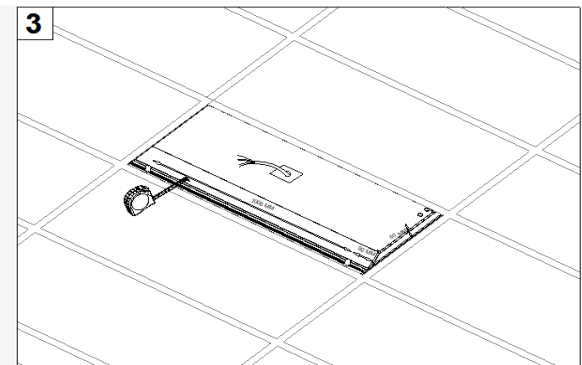
1. Switch off or disconnect mains supply existing /installed conventional panel.



2. Remove existing diffuser frame, fluorescent lamps, and fluorescent ballast and ballast cover. Dispose of the lamps in proper accordance with current state and federal regulation. Fluorescent lamps contain hazardous materials. Disconnect or sever the wiring from the AC power input to the fluorescent ballast

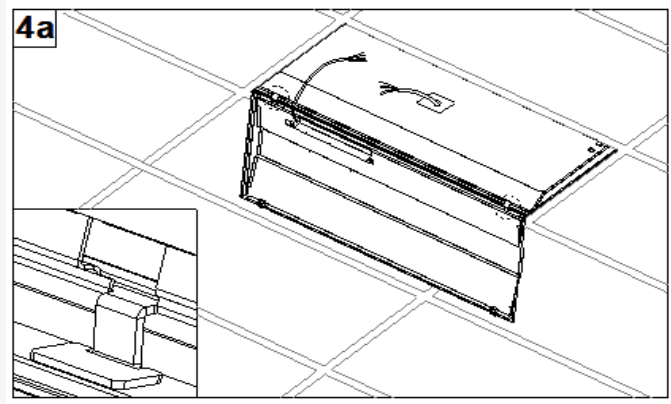
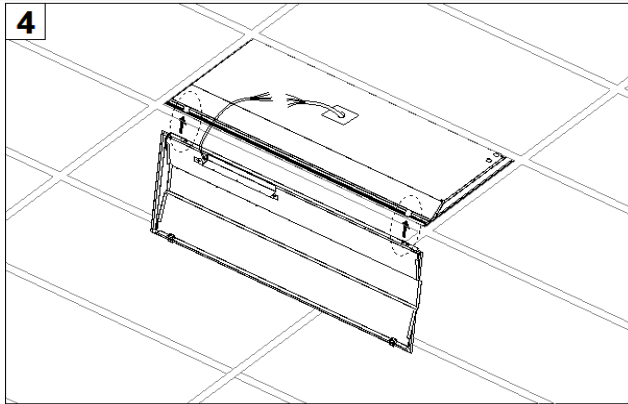


3. Measure the distance between hinge and lock slots and ensure it matches with retrofit panel.



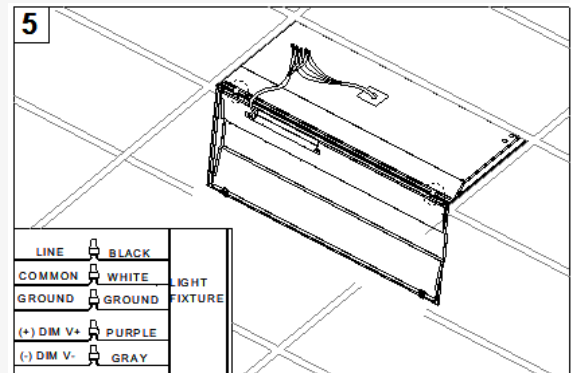
## INSTALLATION - STANDARD RECESSED MOUNT (CONTINUE)

4. Engage the hinge clamps in the slots.



5. Connect the mains and dimming wires using wire nuts/cap connectors.

- a. Connect the green ground wire from the fixture to the supply ground wire.
- b. Connect the white wire from the fixture to the supply white wire (neutral wire).
- c. Connect the black wire from the fixture to the supply black wire (Line wire).
- d. Secure the three connections using wire nuts/cap connectors.
- e. Wrap the three wire connections with electrical tape for a more secure connection (electrical tape not included).

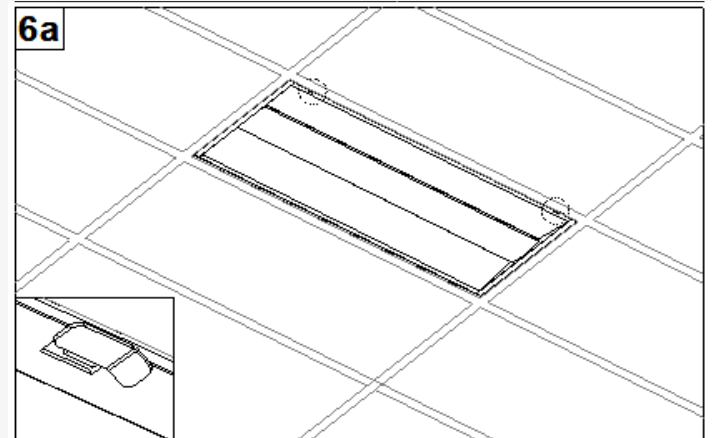
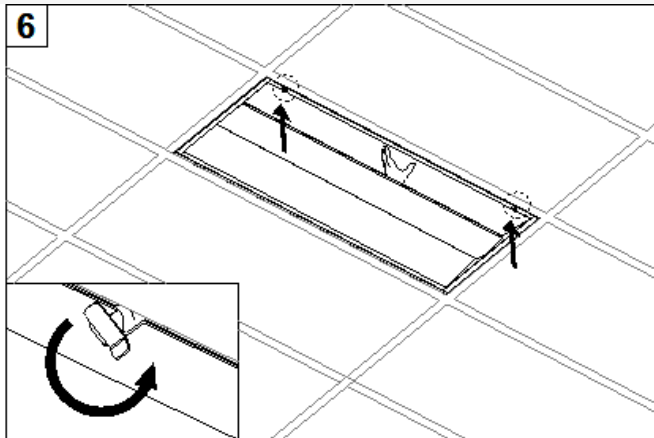


### Connect the dimming wires

- a. Connect the purple wire from the fixture to the purple (DIM+) supply wire.
- b. Connect the gray wire from the fixture to the gray (DIM-) supply wire.
- c. Secure the two connections using the wire nuts/cap connectors.
- d. Wrap the two wire connections with electrical tape for a more secure connection (electrical tape not included).

## INSTALLATION - STANDARD RECESSED MOUNT (CONTINUE)

6. Close the retro fit panel and push the locking clamps to lock panel in place.



7. Switch on the mains supply to check the working.

