

# INSTALLATION GUIDE FOR LINEAR HIGHBAY

## WIRING INSTRUCTIONS

Connect the green (ground), black (line) and white (neutral) wires of the AC line to the similarly colored wires of the fixture's power supply.

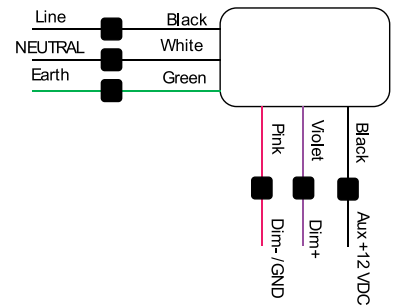
This product is 0-10 V dimmable. Please choose the appropriate dimming way (built in or external)

sensor with 1-10 V output, according to your needs.

Place all connections and exposed wire inside fixture.

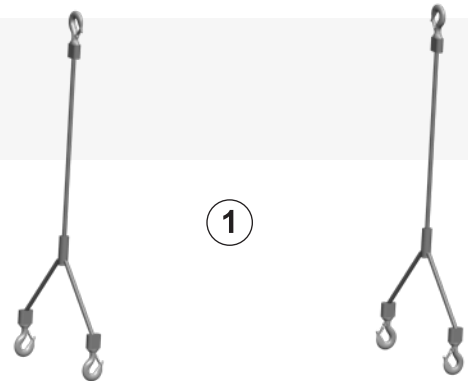
Sensor Type: Microwave/Photocell or Microwave+Photocell.

You can also choose not to use this function.

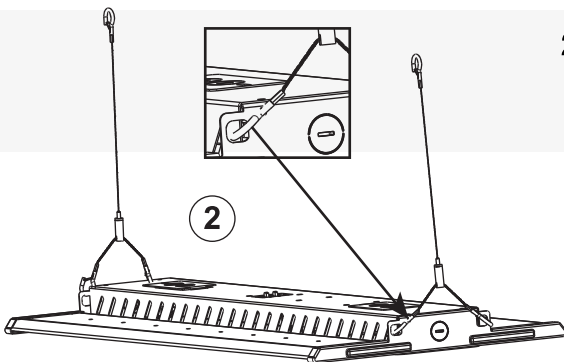


## CABLE MOUNT

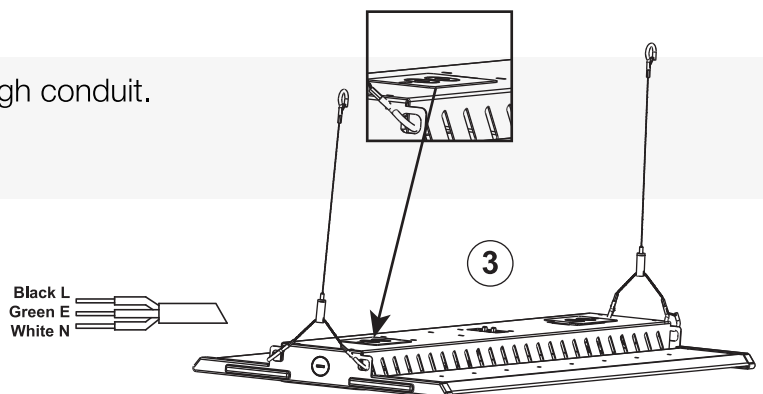
1. Mount suspension wires on Truss/ cable tray at 620mm spacing  
Suspension wire length is 1650mm and cross section dia of 1.5 square mm. (figure 1)



2. Attach the suspension wires to the product using snap hooks and mount the product. (figure 2)



3. Use Ø22.2 mm hole for mains connection through conduit. (figure 3)

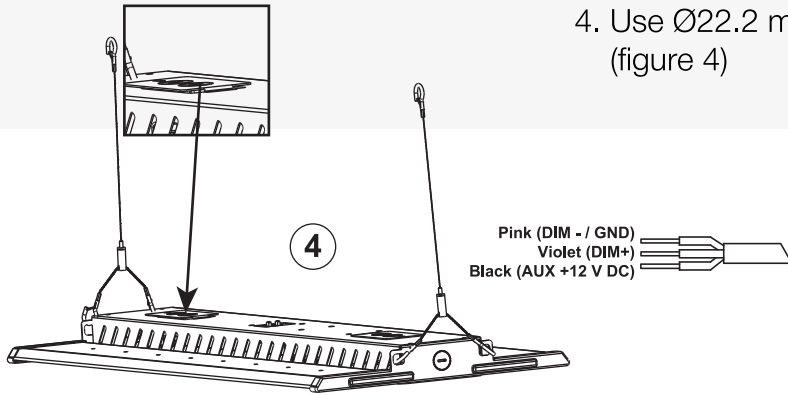


\*Pictures and diagrams in this IM are for illustrative purpose only.

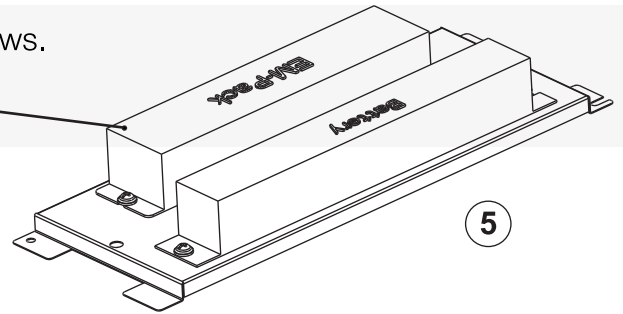
# INSTALLATION GUIDE FOR **LINEAR HIGHBAY**

## CABLE MOUNT

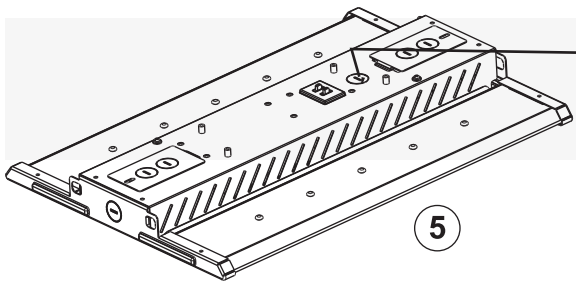
4. Use  $\varnothing 22.2$  mm hole for dimming wire connection through the plat. (figure 4)



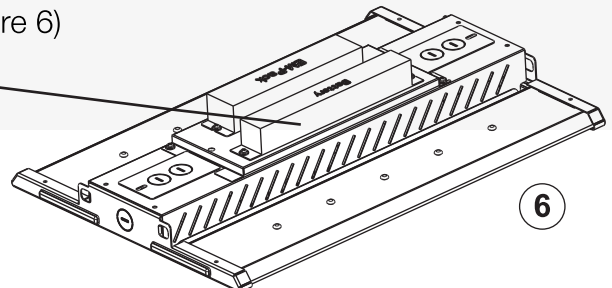
5. Assemble the EM-pack & Battery with EM-pack plate with screws. (figure 5)



5. Attach the suspension wires to the product using snap hooks and mount the product. (figure 5)



6. Establish the connections as per connection diagram. (figure 6)

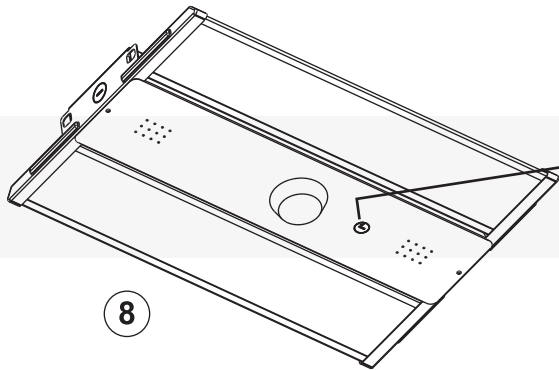
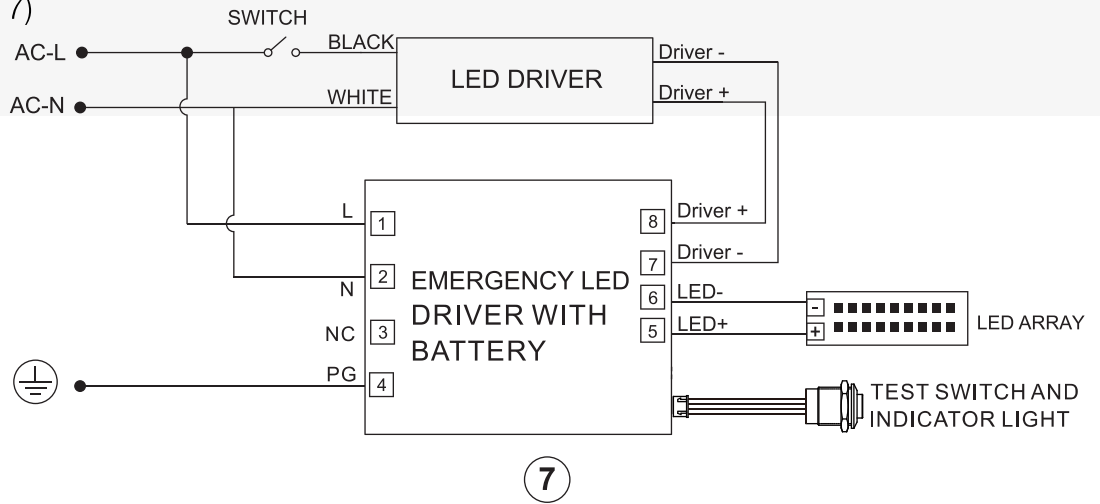


\*Pictures and diagrams in this IM are for illustrative purpose only.

# INSTALLATION GUIDE FOR LINEAR HIGHBAY

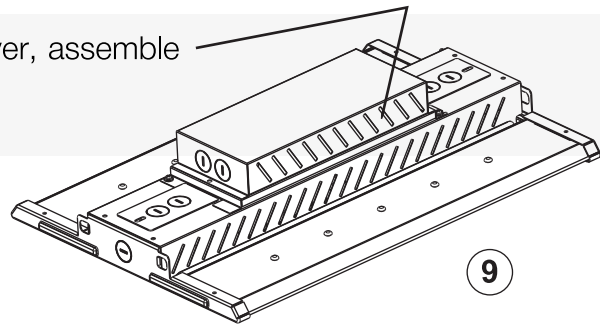
## CABLE MOUNT

7. Wiring Diagram. (figure 7)



8. Break the knock out & assemble test switch. (figure 8)

9. After establishing the connections and EM plate cover, assemble by the screws. (figure 9)



\*Pictures and diagrams in this IM are for illustrative purpose only.