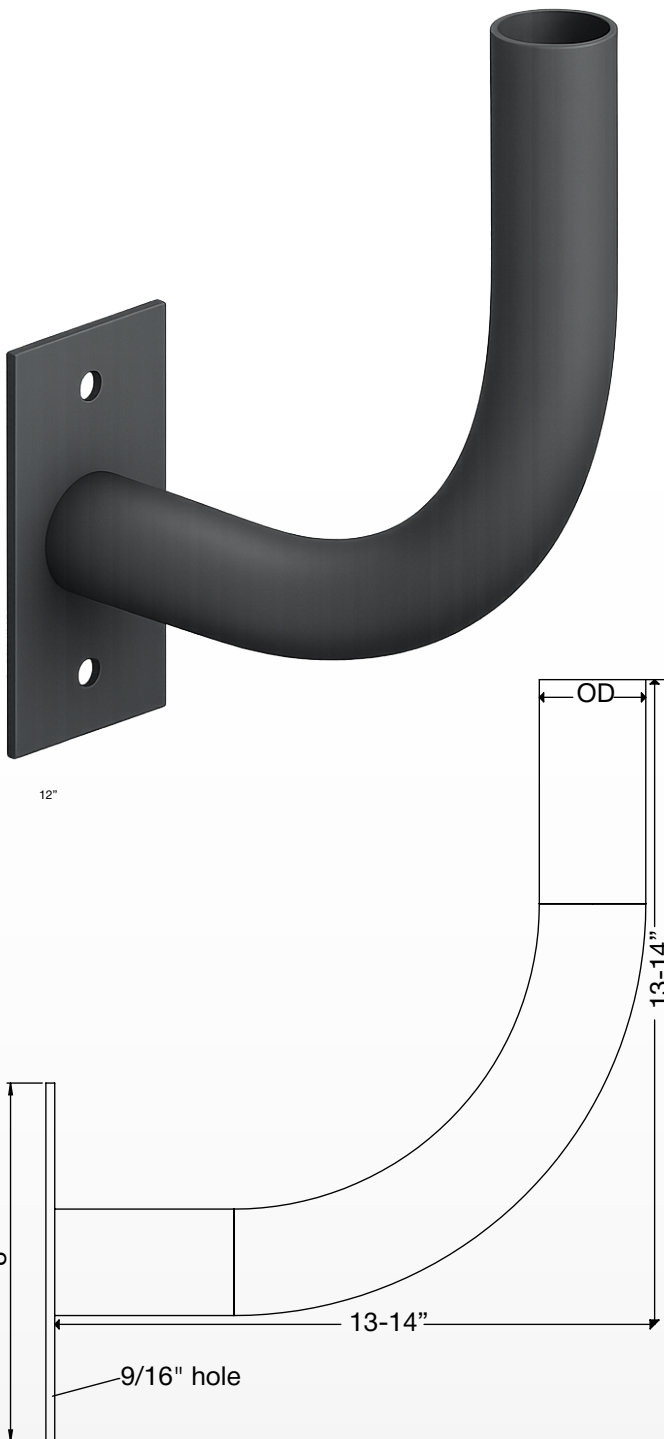




HAVELLS

HAVELLS LIGHTING LLC

PRODUCT INFORMATION



Tenon

TENON MOUNT 90 DEGREE SQUARE POLE

Havells Lighting provides a comprehensive range of brackets and accessories to complement your lighting projects. We maintain the same high standards of quality and durability for our accessories as we do for our lighting products.

Technical Data

Product Code	HL-TN-90
Product Name	Tenon Mount 90 Degree Square Pole
Construction	Steel
Finish	Bronze
Pipe Thickness	11 Gauge
Pack Quantity	04

Dimension

Length (l)	13-14 in
Height (h)	13-14 in
Outer Diameter (OD)	2.37" in