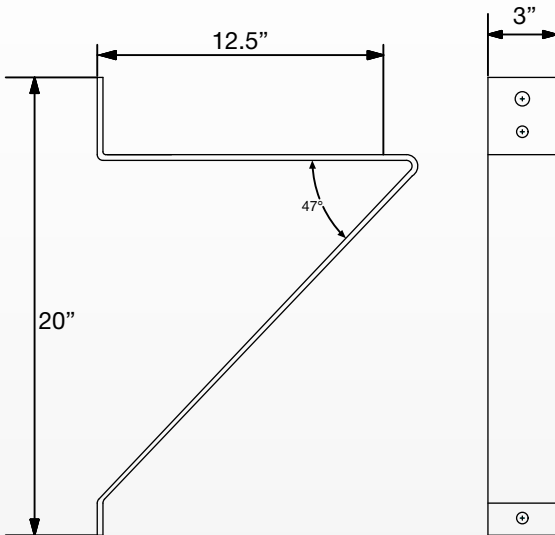




**HAVELLS**

**HAVELLS LIGHTING LLC**

# PRODUCT INFORMATION



## Tenon

### TENON ANGULAR WALL MOUNT

Havells Lighting provides a comprehensive range of brackets and accessories to complement your lighting projects. We maintain the same high standards of quality and durability for our accessories as we do for our lighting products.

#### Technical Data

Product Code	HL-TN-SAWN
Product Name	Tenon Angular Wall Mount
Construction	Steel
Finish	Galvanized
Pipe Thickness	11 Gauge
Pack Quantity	04

#### Dimension and Weight

Height (h)	20 in
Overall Depth	12.5 in