



SQUARE STEEL DIRECT BURY POLES

The Straight Square Steel Direct Bury poles are built from high strength steel tube and are available side drilled for arm mounted area lighting luminaires or with tenon mounts for flood and post top luminaires. Typical area lighting applications include retail centers, industrial parks, schools and universities, public transit and airports, office buildings and medical facilities. Mounting heights of 15 to 30 feet can be used based on selected luminaire application.



GENERAL SPECIFICATIONS

- Four-sided, pre-drilled poles
- Reinforced handhole with grounding lug and removable cover
- Comes with a top cover and hand-hole cover
- Includes a spray paint bottle

DESIGN CONSIDERATIONS - VIBRATIONS AND NON-GROUND MOUNTED INSTALLATIONS

The information contained herein is for general guidance only and is not a replacement for professional judgment. Design considerations for wind-induced vibrations and non-ground mounted installations (e.g., installations on bridges or buildings) are not included in this document. Consult with a professional, and local and federal standards, before ordering to ensure product is appropriate for the intended purpose and installation location.

NOTE: The Limited Warranty for this product specifically excludes fatigue failure or similar damage resulting from vibration, harmonic oscillation or resonance.

Specifications and dimensions subject to change without notice. Consult your lighting representative at Havells Lighting or visit www.havellsighting.com for available options, accessories.

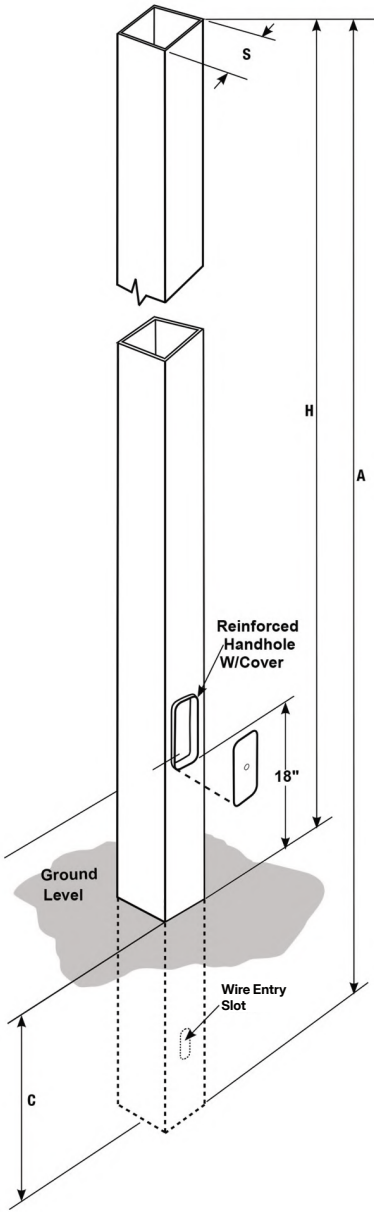
HL-SQPL	DB	4"=4	15'-15 Feet		BR = Bronze	
Product Family	Mounting Type	Shaft Size (Inches)	Mounting Height (Feet)	Base Type	Finish	Accessories
Havells Lighting Square Pole	Direct Burial	4	15	Square Steel	Bronze	Cover Set - Bronze Suitable For 4" Square Steel Pole Top Cover - 1 Hand Hole Cover - 1 Spray Paint - 1
			20			
			25			
			30			

ORDERING GUIDE

TYPICAL ORDER EXAMPLE: HL-SQPL-DB-4"-25'-BR-W						
PRODUCT FAMILY	BASE TYPE	SHAFT SIZE	HEIGHT	FINISH		
SQPL - Square steel Pole	DB - Direct Burial	4" - 4x4	15' 20' 25' 30'	BR - Bronze	W - Pre wired	or Blank



SPECIFICATION



Mounting Height (Feet) H	Wall Thickness	Top Width (Inches) S	Total shaft (Feet) A	EPA			Weight (LBH)
				80 MPH	90 MPH	100 MPH	
15	11G	3.94	19	11.3	8.3	6.2	125
20	11G	3.94	25	8.4	5.6	3.7	164
25	11G	3.94	30	7.1	4.9	3.1	196
30	11G	3.94	35	6.2	4.0	2.1	228