



**HAVELLS**

**HAVELLS LIGHTING LLC**

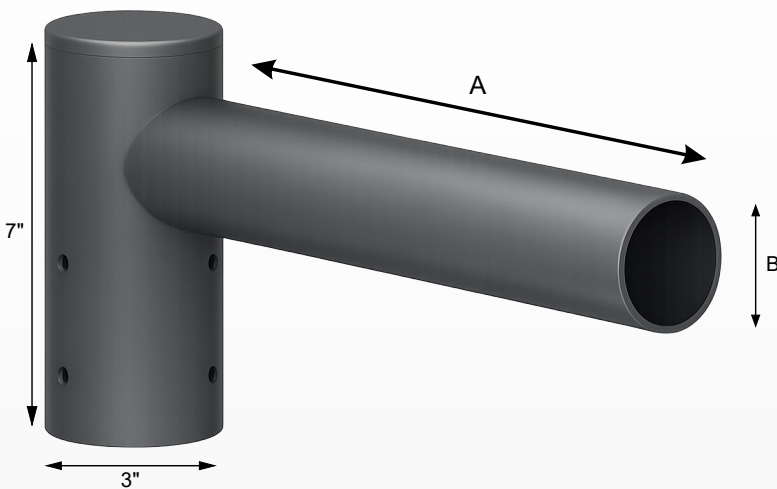
# PRODUCT INFORMATION



## Spoke Bracket

### SPOKE BRACKET 1 ARM

Havells Lighting provides a comprehensive range of brackets and accessories to complement your lighting projects. We maintain the same high standards of quality and durability for our accessories as we do for our lighting products.



## Technical Data

Product Code	HL-SP-1
Product Name	Spoke Bracket 1 Arm
Construction	Steel
Finish	Bronze
Pipe Thickness	11 Gauge
Pack Quantity	04

## Dimension and Weight

A	12 in
B	2.375 in
Weight	4.2 lb

\*All dimensions are in Inches

## Accessories

Bolt-1"	4 Pcs
Cap	1 Pcs

\*All hardware are in SS