

# LED CANOPY LIGHT

Catalog#	
Project:	
Fixture Type:	Date:
Note:	

Hit the Tab key or mouse over the page to see all interactive elements.

Our Canopy Lights are designed to deliver efficient and reliable illumination, making them perfect for gas stations. These fixtures utilize advanced LED technology to enhance visibility, promoting safety and security while being eco-friendly. Enjoy long-lasting performance and energy savings in challenging environments like service stations. Create a well-lit space that seamlessly combines functionality with aesthetics.

## FEATURES & BENEFITS

- Delivers high efficacy in 150W light providing upto 18,360lm.
- Dimming capabilities for optimal customization.
- Suitable for junction box mounting
- Operating Temperature: -40°C to +45°C
- Rated for 50,000 hours, offering a 5 year warranty.
- Instant start, No flickering, No humming.



Model Number	Wattage	Lumens	Efficacy
HL-CP-120W5K	120W	18,360lm	153 lm/W
HL-CP-150W5K	150W	22,500lm	150 lm/W

## PRODUCT SUMMARY

<b>Efficacy</b> 153 lm/W	<b>Beam Angle</b> 110°	<b>THD</b> ≤20%	<b>Warranty</b> 5 Years	<b>Housing Material</b> Aluminum
<b>CCT</b> 5000K	<b>Input Voltage</b> 120-277 Vac	<b>Dimming</b> 0-10V standard	<b>Finish</b> White	<b>Lens Type</b> No Lens
<b>CRI</b> >80	<b>Power Factor (PF)</b> ≥0.9	<b>Operating Temp.</b> -40°C to +45°C	<b>Mounting</b> Ceiling	

## APPLICATION

- Gas Station

Default Parameters	
Wattage	CCT
120W	5000K
150W	5000K

DLC PRODUCT INFORMATION			
Order ID	DLC Model Number	DLC Source Identifier	Classification
HL-CP-120W5K	HL-CP-120W5K	S-JT3N5N	Premium
HL-CP-150W5K	HL-CP-150W5K-ZZZZ	S-OKCFL8	Premium

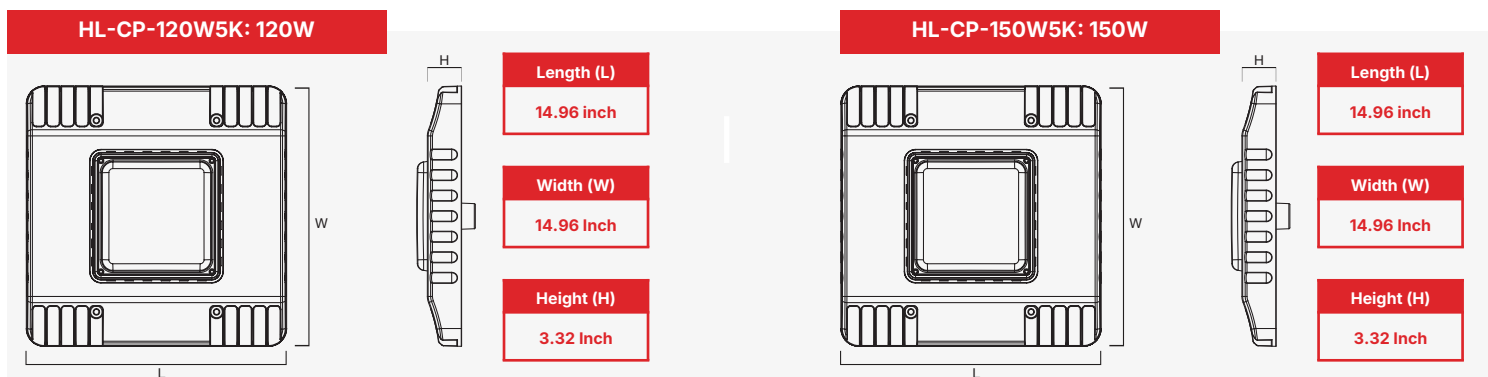
## PERFORMANCE

Model Number	Wattages	System Lumens	CCT	Input Current	Efficacy	Input Voltage
HL-CP-120W5K	120W	18,360lm	5000K	1.5A	153 lm/W	120-277 Vac
HL-CP-150W5K	150W	22,500lm	5000K	1.2A	150 lm/W	120-277 Vac

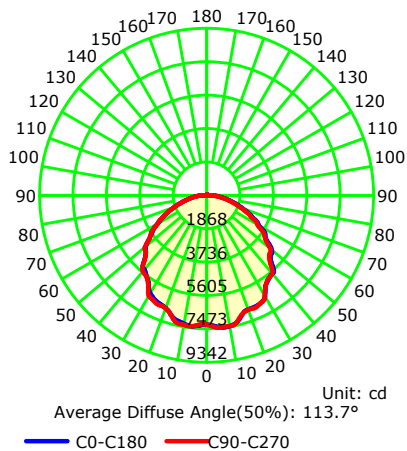
## PACKAGING DETAILS

Model Number	Product Dimension (LxWxH) (in)	Case Qty (units)	Case Dimension (LxWxH) (in)	Net Weight Product (lbs)	Gross Weight with Packaging (lbs)
HL-CP-120W5K	14.96x14.96x3.32	1	17.32 x 17.32 x 4.72	8.53	9.52
HL-CP-150W5K	14.96x14.96x3.32	1	17.32 x 17.32 x 4.72	8.53	9.52

## DIMENSIONS



## PHOTOMETRIC RESULT



Version 3.1

Last Updated: April 10, 2026 7:45 PM