

# FLEXI

## FLOOD LIGHT

Catalog#	
Project:	
Fixture Type:	Date:
Note:	

Hit the Tab key or mouse over the page to see all interactive elements.

Our Flexi Flood Light Series delivers powerful, uniform illumination designed for a wide range of outdoor and industrial applications. Built with high-efficiency and a durable die-cast aluminum housing, each model offers selectable wattage and CCT options for maximum flexibility.

### FEATURES & BENEFITS

- 300W model delivers up to 45,000 lumens with high efficacy
- Fully selectable features for any environment
- Equipped with 0-10V dimming for smooth control
- Rated for 50,000 hours, offering a 5-year warranty
- Suitable for -40°C to +50°C temperatures
- Built In Photocell with ON/OFF Switch



Flexi Small: 80W



Flexi Medium: 150W



Flexi Large: 300W



**BEAM SELECTABLE**  
7H6V/6H6V/5H5V

Model Number	Wattage	Lumens	Efficacy
HL-FL-MW-MCCT-ML3-80W	45W/60W/80W	12,000lm	150 lm/W
HL-FL-MW-MCCT-ML3-150W	100W/120W/150W	22,500lm	150 lm/W
HL-FL-MW-MCCT-ML3-300W	200W/240W/300W	45,000lm	150 lm/W
HL-FL-MW-MCCT-ML3-150W-HV**	100W/120W/150W	22,500lm	150 lm/W
HL-FL-MW-MCCT-ML3-300W-HV	200W/240W/300W	45,000lm	150 lm/W

All models feature selectable CCT options: 3000K/4000K/5000K

\*\* Marked is Make to Order

### PRODUCT SUMMARY

<b>Efficacy</b> 150 lm/W	<b>Beam Angle (Selectable)</b> 7H6V/6H6V/5H5V	<b>THD</b> ≤20%	<b>Operating Temp.</b> -40°C to +50°C	<b>Mounting</b> Knuckle / C Bracket / Slipfitter
<b>CCT (Selectable)</b> 3000/4000/5000K	<b>Input Voltage</b> 120-277 Vac   277-480 Vac	<b>Surge Protection</b> L-N:6kV,L&N-E:6kV	<b>Warranty</b> 5 Years	<b>Housing Material</b> Aluminum
<b>CRI</b> >80	<b>Power Factor (PF)</b> ≥0.9	<b>Dimming</b> 0-10V standard	<b>Finish</b> Bronze	<b>Lens Type</b> Glass

### APPLICATIONS

- General Lighting, Building Up Lighters, Tree Lighting, Sign Lighting and Security Lighting.

### STANDARD PRODUCT ACCESSORIES INCLUDED

- HL-FL-MW-MCCT-ML3-80W: 1/2" Knuckle Mount & C-Shape Mount
- HL-FL-MW-MCCT-ML3-150W/150W-HV: Slip Fitter Mount & C-Shape Mount
- HL-FL-MW-MCCT-ML3-300W/300W-HV: Slip Fitter Mount & Trunnion Mount

Default Parameters	
Wattage	CCT
80W	5000K
150W	5000K
300W	5000K
150W	5000K
300W	5000K

DLC PRODUCT INFORMATION			
Order ID	DLC Model Number	DLC Source Identifier	Classification
HL-FL-MW-MCCT-ML3-80W	HL-FL-MW-MCCT-ML3-80W-AA-BB-ZZZZ	S-JHXXMJ	Premium
HL-FL-MW-MCCT-ML3-150W	HL-FL-MW-MCCT-ML3-150W-AA-BB-ZZZZ	S-ZJ8V9C	Premium
HL-FL-MW-MCCT-ML3-300W	HL-FL-MW-MCCT-ML3-300W-AA-BB-ZZZZ	S-5XWV3	Premium
HL-FL-MW-MCCT-ML3-150W-HV**	-	In Progress	Premium
HL-FL-MW-MCCT-ML3-300W-HV	HL-FL-MW-MCCT-ML3-300W-HV-AA-BB-ZZZZ	S-DBCW9	Premium

## PERFORMANCE

Model Number	Wattages	Input Voltage	Distribution	3000K (>80 CRI)		4000K (>80 CRI)		5000K (>80 CRI)	
				Lumens	Efficacy	Lumens	Efficacy	Lumens	Efficacy
HL-FL-MW-MCCT-ML3-80W	45W/60W/80W	120-277 Vac	7H6V	10,400lm	130 lm/W	12,000lm	150 lm/W	11,200lm	140 lm/W
			6H6V	10,400lm	130 lm/W	12,000lm	150 lm/W	11,200lm	140 lm/W
			5H5V	10,400lm	130 lm/W	12,000lm	150 lm/W	11,200lm	140 lm/W
HL-FL-MW-MCCT-ML3-150W	100W/120W/150W	120-277 Vac	7H6V	19,500lm	130 lm/W	22,500lm	150 lm/W	21,000lm	140 lm/W
			6H6V	19,500lm	130 lm/W	22,500lm	150 lm/W	21,000lm	140 lm/W
			5H5V	19,500lm	130 lm/W	22,500lm	150 lm/W	21,000lm	140 lm/W
HL-FL-MW-MCCT-ML3-300W	200W/240W/300W	120-277 Vac	7H6V	39,000lm	130 lm/W	45,000lm	150 lm/W	42,000lm	140 lm/W
			6H6V	39,000lm	130 lm/W	45,000lm	150 lm/W	42,000lm	140 lm/W
			5H5V	39,000lm	130 lm/W	45,000lm	150 lm/W	42,000lm	140 lm/W
HL-FL-MW-MCCT-ML3-150W-HV**	100W/120W/150W	277-480 Vac	7H6V	19,500lm	130 lm/W	22,500lm	150 lm/W	21,000lm	140 lm/W
			6H6V	19,500lm	130 lm/W	22,500lm	150 lm/W	21,000lm	140 lm/W
			5H5V	19,500lm	130 lm/W	22,500lm	150 lm/W	21,000lm	140 lm/W
HL-FL-MW-MCCT-ML3-300W-HV	200W/240W/300W	277-480 Vac	7H6V	39,000lm	130 lm/W	45,000lm	150 lm/W	42,000lm	140 lm/W
			6H6V	39,000lm	130 lm/W	45,000lm	150 lm/W	42,000lm	140 lm/W
			5H5V	39,000lm	130 lm/W	45,000lm	150 lm/W	42,000lm	140 lm/W

Remarks: Lumen and efficacy data are based on the CCT of each higher wattage SKU

\*\*Marked is Make to Order

## PACKAGING DETAILS

Model No.	Product Dimension (LxWxH) (in)	Case Qty (units)	Case Dimension (LxWxH) (in)	Net Weight Product (lbs)	Gross Weight with Packaging (lbs)	Pallet Load
HL-FL-MW-MCCT-ML3-80W	10.90x7.80x3.62	6	26.18x12.91x13.39	5.29	37.78	180
HL-FL-MW-MCCT-ML3-150W	13.62x9.36x5.57	1	15.04x13.98x8.58	11.15	13.37	72
HL-FL-MW-MCCT-ML3-300W	17.66x12.18x6.74	1	19.02x16.354x9.84	18.51	21.6	40
HL-FL-MW-MCCT-ML3-150W-HV**	13.62x9.36x5.57	1	15.04x13.98x8.58	11.15	13.37	72
HL-FL-MW-MCCT-ML3-300W-HV	17.66x12.18x6.74	1	19.02x16.354x9.84	18.51	21.6	40

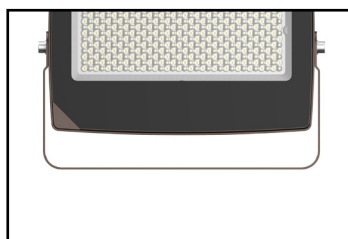
## MOUNTING DETAILS



1/2" Knuckle Mount  
(80W)



Slip Fitter Mount  
(150W & 300W)



C-Shape Mount  
(80W & 150W)



Trunnion Mount  
(300W)

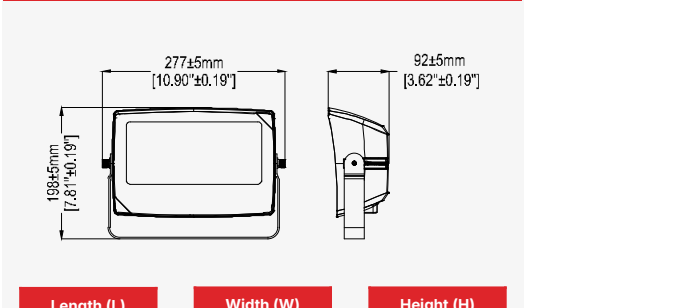
All mounting brackets are included as standard accessories (not sold separately).

# CUSTOMIZATION

- Available in Bronze, or Custom Finish
- Beam Selectable option 7H6V / 6H6V / 5H5V

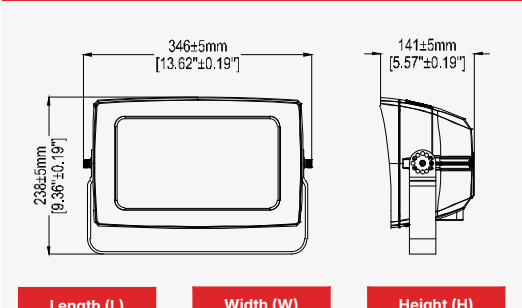
# DIMENSIONS

## SELECTABLE WATTAGE & CCT: 80W



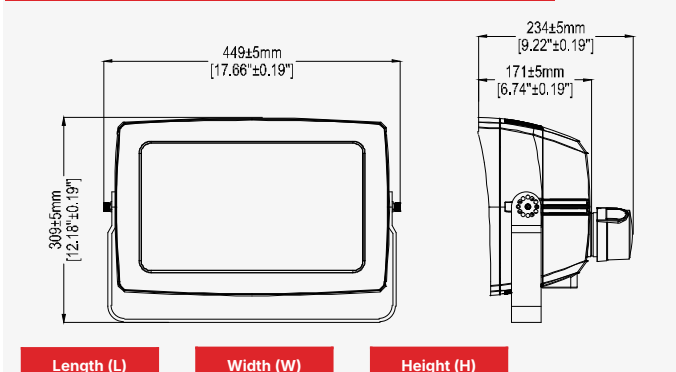
Length (L)	Width (W)	Height (H)
10.72 Inch	7.80 Inch	3.62 Inch

## SELECTABLE WATTAGE & CCT: 150W/150W-HV



Length (L)	Width (W)	Height (H)
13.62 Inch	9.36 inch	5.57 Inch

## SELECTABLE WATTAGE & CCT: 300W/300W-HV

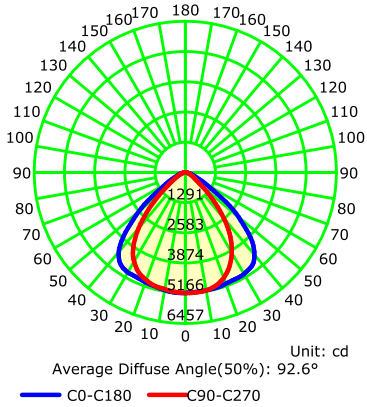


Length (L)	Width (W)	Height (H)
17.66 Inch	12.18 inch	6.74 Inch

# PHOTOMETRIC RESULT

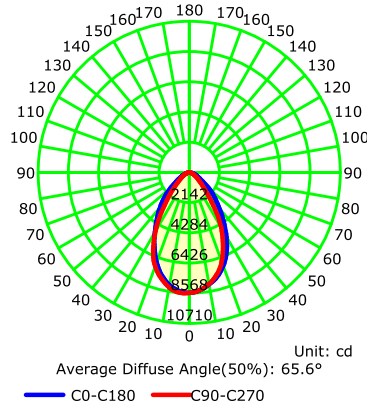
## 7H6V(80W-3000K)

Luminous Intensity Distribution Curve



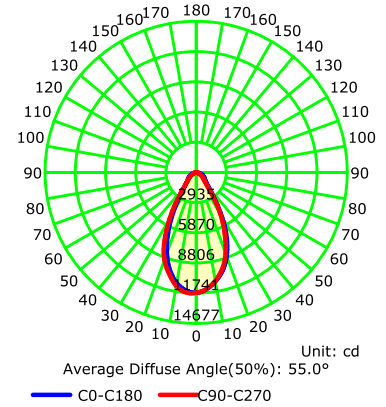
## 6H6V(80W-3000K)

Luminous Intensity Distribution Curve



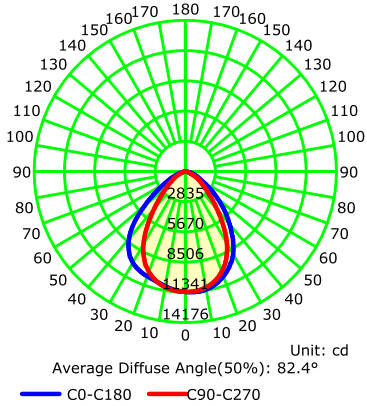
## 5H5V(80W-3000K)

Luminous Intensity Distribution Curve



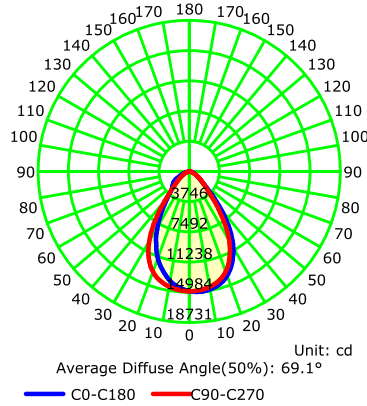
## 7H6V(150W-3000K)

Luminous Intensity Distribution Curve



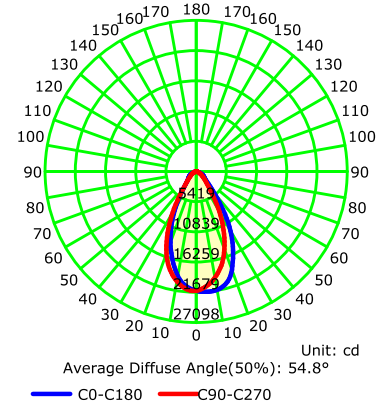
## 6H6V(150W-3000K)

Luminous Intensity Distribution Curve



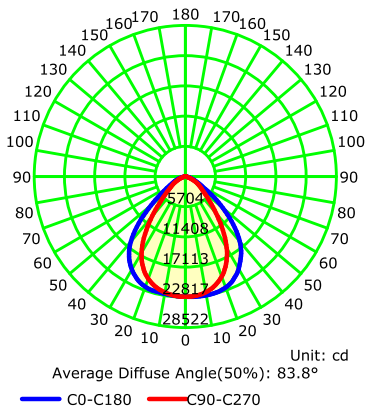
## 5H5V(150W-3000K)

Luminous Intensity Distribution Curve



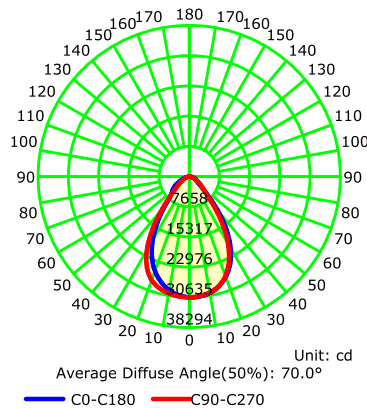
## 7H6V(300W-3000K)

Luminous Intensity Distribution Curve



## 6H6V(300W-3000K)

Luminous Intensity Distribution Curve



## 5H5V(300W-3000K)

Luminous Intensity Distribution Curve

