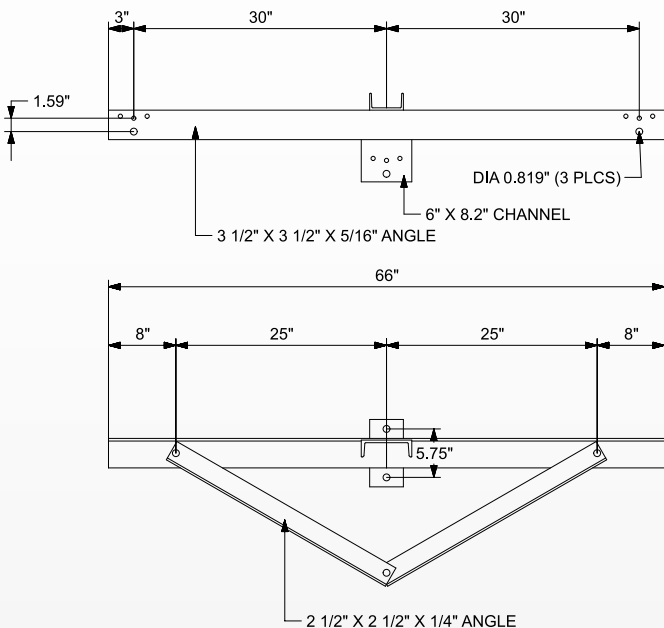
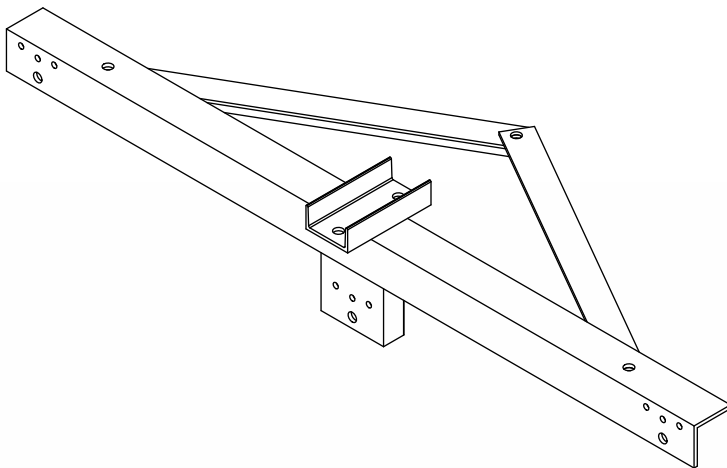


Mounting

- For wood and steel pole mounting
- Minimum pole diameter for mounting is 4"
- Mounting hardware not included



Sports Lighting Bracket

3-LIGHT SPORTS LIGHT POLE BRACKET

Havells Lighting provides a comprehensive range of brackets and accessories to complement your lighting projects. We maintain the same high standards of quality and durability for our accessories as we do for our lighting products.

Technical Data

Product Code	HL-SB-3
Product Name	3-Light Sports Light Pole Bracket
Construction	Steel
Finise	Galvanized
EPA	3.6
Pack Quantity	01

Dimension and Weight

Width (w)	66 in
Weight	70 lbs

*All dimensions are in Inches