

Catalog#	
Project:	
Fixture Type:	Date:
Note:	

Hit the Tab key or mouse over the page to see all interactive elements.

RETROFIT DOWNLIGHT GEN 2

At Havells Lighting, our LED Retrofit downlight Gen 2 are designed to seamlessly fit into existing 4" and 5"/6" downlight fixtures with aluminum powder coated housing. These downlights provide a sleek, modern upgrade to homes or businesses without the need for extensive remodeling.

FEATURES & BENEFITS

- High efficacy, with the 6" light providing up to 1,230 lumens
- Fully selectable output and color temperature
- Operating temperature: -20°C to +45°C
- Rated life of 50,000 hours, offering a 5-year warranty



Model Number	Wattage	Lumens	Efficacy
HL-DLR-MW-MCCT-9W-4 Inch	5W/7W/9W	738lm	82 lm/W
HL-DLR-MW-MCCT-15W-6 Inch	9W/12W/15W	1,230lm	82 lm/W

All models feature selectable CCT options: 2700K/3000K/3500K/4000K/5000K

PRODUCT SUMMARY

Efficacy
82 lm/W

Dimming
Triac

CCT Options
2700/3000/3500/4000/5000K

Operating Temp.
-20°C to +45°C

CRI
90

Warranty
5 Years

Beam Angle
120°

Finish
White

Input Voltage
120 Vac

Mounting
Retrofit in E26 Lampholder

Power Factor (PF)
>0.8

Housing Material
Metal

THD
NA

Lens Type
Polystyrene

APPLICATIONS

- Home, Lobby, Common Area, Office, and Shopping Malls.

Default Parameters	
Wattage	CCT
9W	5000K
15W	5000K

PERFORMANCE

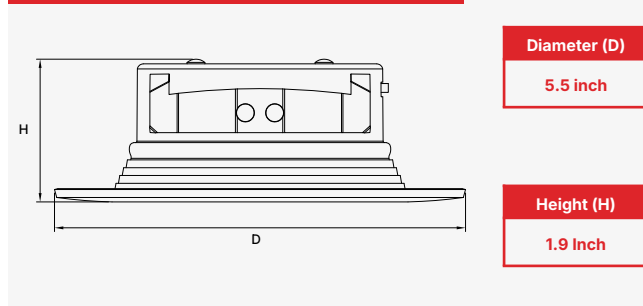
Model Number	Wattages	Input Current	2700K (90 CRI)		3000K (90 CRI)		3500K (90 CRI)		4000K (90 CRI)		5000K (90 CRI)	
			Lumens	Efficacy	Lumens	Efficacy	Lumens	Efficacy	Lumens	Efficacy	Lumens	Efficacy
HL-DLR-MW-MCCT-9W-4 Inch	5W/7W/9W	0.083A	630lm	70 lm/W	675lm	75 lm/W	738lm	82 lm/W	738lm	82 lm/W	675lm	75 lm/W
HL-DLR-MW-MCCT-15W-6 Inch	9W/12W/15W	0.138A	1,050lm	70 lm/W	1,125lm	75 lm/W	1,230lm	82 lm/W	1,230lm	82 lm/W	1,125lm	75 lm/W

PACKAGING DETAILS

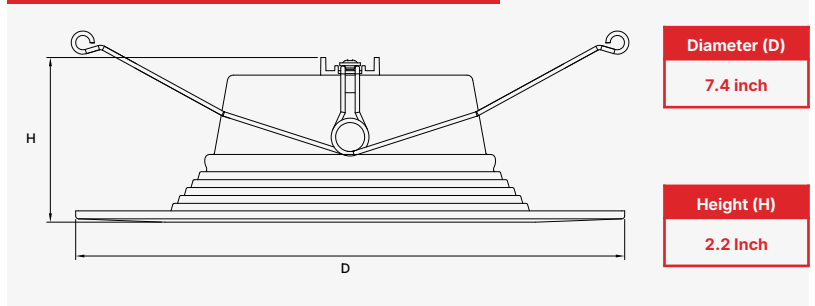
Model Number	Product Dimension (DxH) (in)	Case Qty (units)	Case Dimension (LxWxH) (in)	Net Weight Product (lbs)	Gross Weight with Packaging (lbs)	Pallet Load
HL-DLR-MW-MCCT-9W-4 Inch	5.5x1.9	16	19.7x6.3x12.4	5.5	8.3	-
HL-DLR-MW-MCCT-15W-6 Inch	7.4x2.2	16	22.6x8.5x16.3	8.2	12.8	-

DIMENSIONS

SELECTABLE WATTAGE & CCT: 4" (9W)

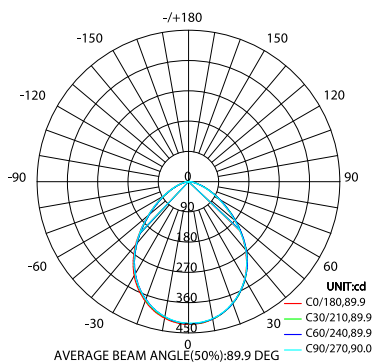


SELECTABLE WATTAGE & CCT: 5" / 6" (15W)

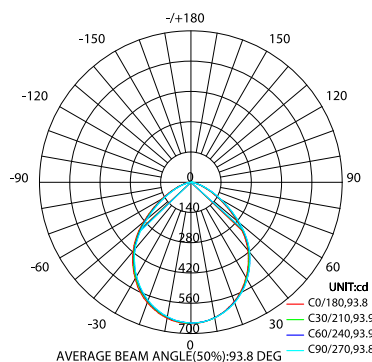


PHOTOMETRIC RESULT

4" (9W)



5" / 6" (15W)



V2
Last Updated: March 12, 2026 06:00 AM