

Catalog#	
Project:	
Fixture Type:	Date:
Note:	

Hit the Tab key or mouse over the page to see all interactive elements.

Our innovative Parking Lot Light is a next-generation, energy-saving, and environmentally friendly luminaire designed for longevity. This versatile fixture features a pressure die-cast aluminium construction, ensuring durability and waterproof performance. Utilizing high-efficacy power LEDs as its light source, it delivers exceptional illumination for parking lots, streets, commercial areas, and beyond. With customizable brightness, color temperature, and control options, it provides tailored solutions for various lighting requirements.

FEATURES & BENEFITS

- Delivers high efficacy in 350W light providing upto 50,050 lm.
- Dimming capabilities for optimal customization.
- ETL listed , DLC Listed, suitable for dry and wet location use.
- Operating Temperature: -20°C to +40°C
- Rated for 50,000 hours, offering a 5-year warranty.



Model Number	Wattage	Lumens
KLTL100SBccYYAALVM	100W	13,000lm
KLTL150SBccYYAALVM	150W	19,500lm
KLTL200SBccYYAALVM	200W	26,000lm
KLTL240SBccYYAALVM	240W	31,200lm
KLTL300SBccYYAALVM	300W	39,000lm
KLTL350SBccYYAALVM	350W	50,050lm

PRODUCT SUMMARY

Efficacy

Up to 143 lm/W

Dimming

0-10V standard

CCT Options

5000K

Operating Temp.

-20°C to +40°C

CRI

≥70

Warranty

5 Years

Beam Angle

110°

Finish

Black/White/Bronze

Input Voltage

120-277Vac | 347-480Vac

Mounting

Square / Round Pole Mount

Power Factor (PF)

0.95

Housing Material

Aluminum Powder Coated

THD

≤20%

Lens Type

Type III

OPTIONAL ACCESSORY

- Photocell and Mounting Adaptor.

APPLICATIONS

- Parking Area , Shopping Centers and General Park Lighting.

Default Parameters	
Wattage	CCT
100W	5000K
150W	5000K
200W	5000K
240W	5000K
300W	5000K
350W	5000K

DLC PRODUCT INFORMATION				
Order ID	DLC Model Number	DLC Source Identifier	Classification	Brand Name
KLTL100SBccYYAALVM	KLTL100SB5KAALVM	S-KEPDAZ	Listed	KRUT
KLTL150SBccYYAALVM	KLTL150SB5K[COLOR][MOUNTING]	S-74BW5X	Listed	KRUT
KLTL200SBccYYAALVM	KLTL200SB5KAALVM	S-621KR9	Listed	KRUT
KLTL240SBccYYAALVM	KLTL240SB5KAALVM	S-BQ78LR	Listed	KRUT
KLTL300SBccYYAALVM	KLTL300SB5K[COLOR][MOUNTING]	S-KUHM5F	Listed	KRUT
KLTL350SBccYYAALVM	KLTL350SB5KAALVM	S-GE05KI	Listed	KRUT

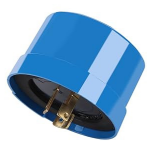
PERFORMANCE

Model Number	Wattages	System Lumens	CCT	Input Current	Efficacy	Input Voltage (120V)	Input Voltage (480V)
KLTL100SBccYYAALVM	100W	13,000lm	5000K	0.877A	130 lm/W	120-277Vac	200-480Vac
KLTL150SBccYYAALVM	150W	19,500lm	5000K	1.316A	130 lm/W	120-277Vac	200-480Vac
KLTL200SBccYYAALVM	200W	26,000lm	5000K	1.754A	130 lm/W	120-277Vac	200-480Vac
KLTL240SBccYYAALVM	240W	31,200lm	5000K	2.105A	130 lm/W	120-277Vac	200-480Vac
KLTL300SBccYYAALVM	300W	39,000lm	5000K	2.631A	130 lm/W	120-277Vac	200-480Vac
KLTL350SBccYYAALVM	350W	50,050lm	5000K	3.070A	143 lm/W	120-277Vac	200-480Vac

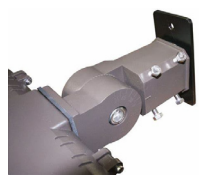
PACKAGING DETAILS

Model No.	Product Dimension (LxWxH)	Case Qty (units)	Case Dimension (in)	Net Weight Product (lbs)	Gross Weight with Packaging (lbs)	Pallet Load
KLTL100SBccYYAALVM	15.3x15.3x3.9	1	17.1x16.8x5.5	6.3	13.0	72
KLTL150SBccYYAALVM	15.3x15.3x3.9	1	17.1x16.8x5.5	6.3	13.0	72
KLTL200SBccYYAALVM	21.2x15.3x3.9	1	585x16.8x5.5	6.38	18.2	48
KLTL240SBccYYAALVM	21.2x15.3x3.9	1	585x16.8x5.5	6.38	18.2	48
KLTL300SBccYYAALVM	21.2x15.3x3.9	1	585x16.8x5.5	6.3	20.0	44
KLTL350SBccYYAALVM	21.2x15.3x3.9	1	585x16.8x5.5	6.3	20.0	44

ACCESSORIES



Photocell



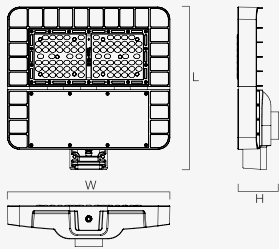
Square/Round Pole Mount



Slip Fitter

DIMENSIONS

WATTAGE: 100W



Length (L)

15.3 inch

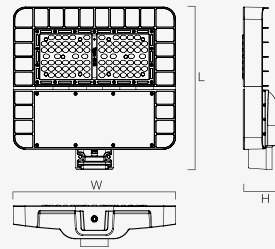
Width (W)

15.3 Inch

Height (H)

3.9 Inch

WATTAGE: 150W



Length (L)

15.3 inch

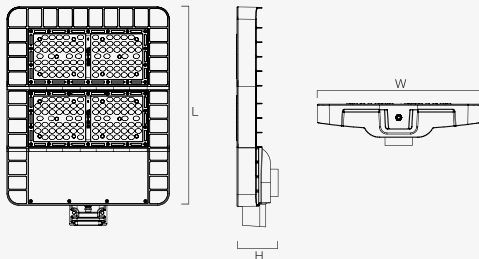
Width (W)

15.3 Inch

Height (H)

3.9 Inch

WATTAGE: 200W



Length (L)

21.2 inch

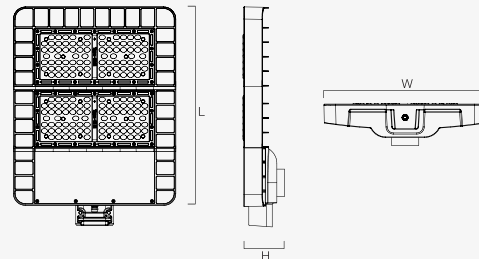
Width (W)

15.3 Inch

Height (H)

3.9 Inch

WATTAGE: 240W



Length (L)

21.2 inch

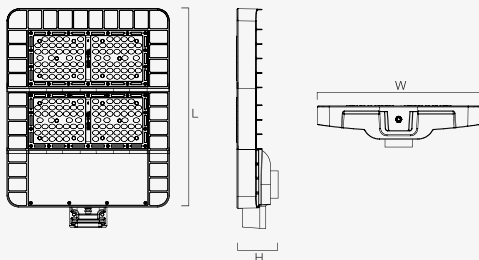
Width (W)

15.3 Inch

Height (H)

3.9 Inch

WATTAGE: 300W



Length (L)

21.2 inch

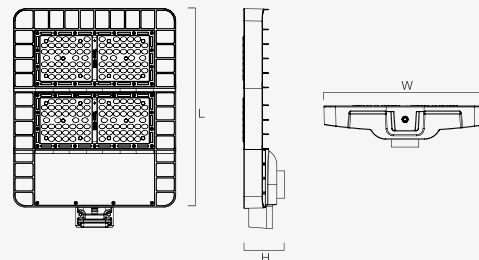
Width (W)

15.3 Inch

Height (H)

3.9 Inch

WATTAGE: 350W



Length (L)

21.2 inch

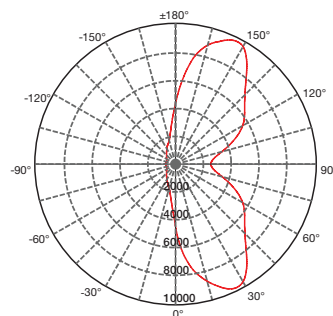
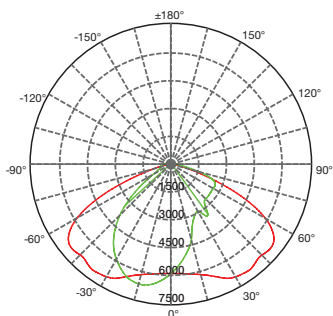
Width (W)

15.3 Inch

Height (H)

3.9 Inch

PHOTOMETRIC RESULT



V2

Last Updated: March 12, 2026 06:00 AM