



SQUARE STEEL BASE MOUNT POLES

The Straight Square Steel Base Mount poles are built from high strength steel tube and are available side drilled for arm mounted area lighting luminaires or with tenon mounts for flood and post top luminaires. Typical area lighting applications include retail centers, industrial parks, schools and universities, public transit and airports, office buildings and medical facilities. Mounting heights of 15 to 30 feet can be used based on selected luminaire application.

GENERAL SPECIFICATIONS

- Four-sided, pre-drilled poles
- Flexible bolt-circle diameter options
- Handhole with grounding lug and removable cover
- Hot dipped galvanized anchor bolts
- Anchor bolt templates included
- Pre-ship anchor option available



DESIGN CONSIDERATIONS - VIBRATIONS AND NON-GROUND MOUNTED INSTALLATIONS

The information contained herein is for general guidance only and is not a replacement for professional judgment. Design considerations for wind-induced vibrations and non-ground mounted installations (e.g., installations on bridges or buildings) are not included in this document. Consult with a professional, and local and federal standards, before ordering to ensure product is appropriate for the intended purpose and installation location.

NOTE: The Limited Warranty for this product specifically excludes fatigue failure or similar damage resulting from vibration, harmonic oscillation or resonance.

Specifications and dimensions subject to change without notice. Consult your lighting representative at Havells Lighting or visit www.havellsighting.com for available options, accessories.

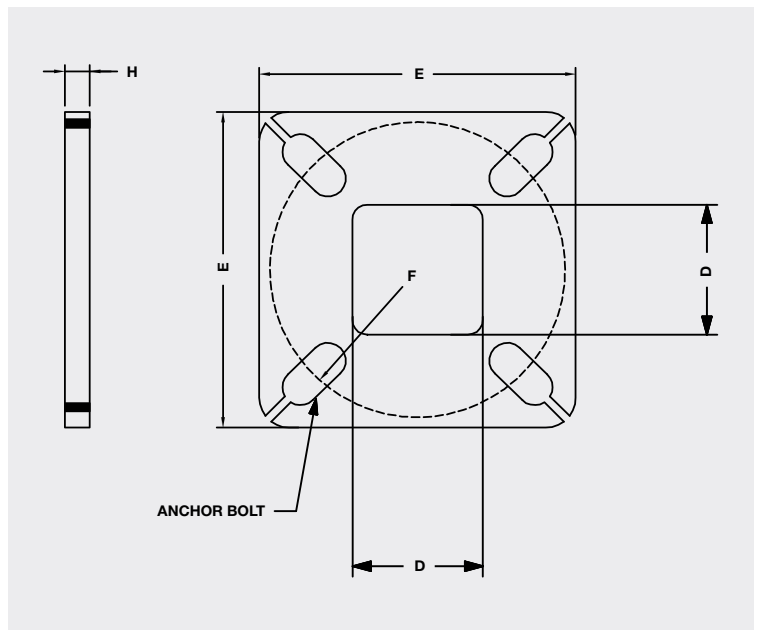
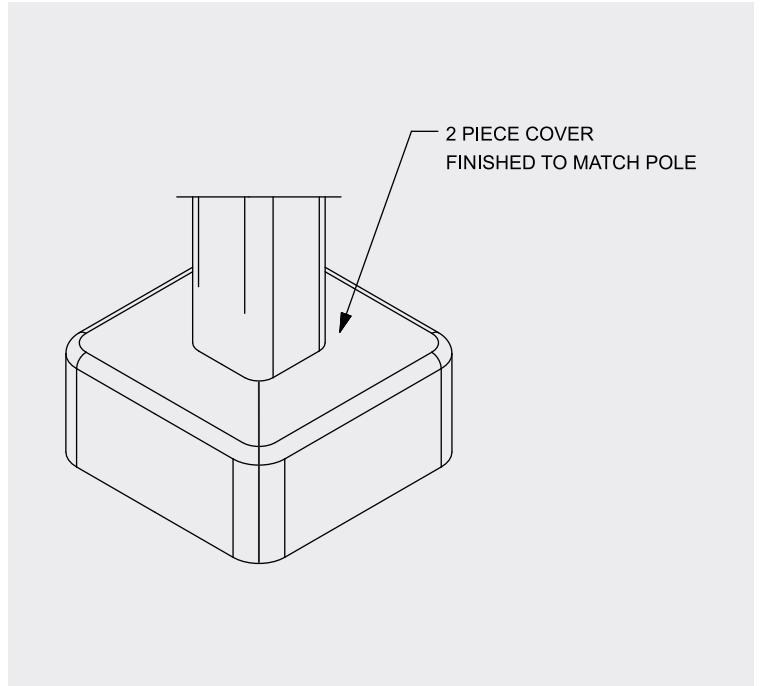
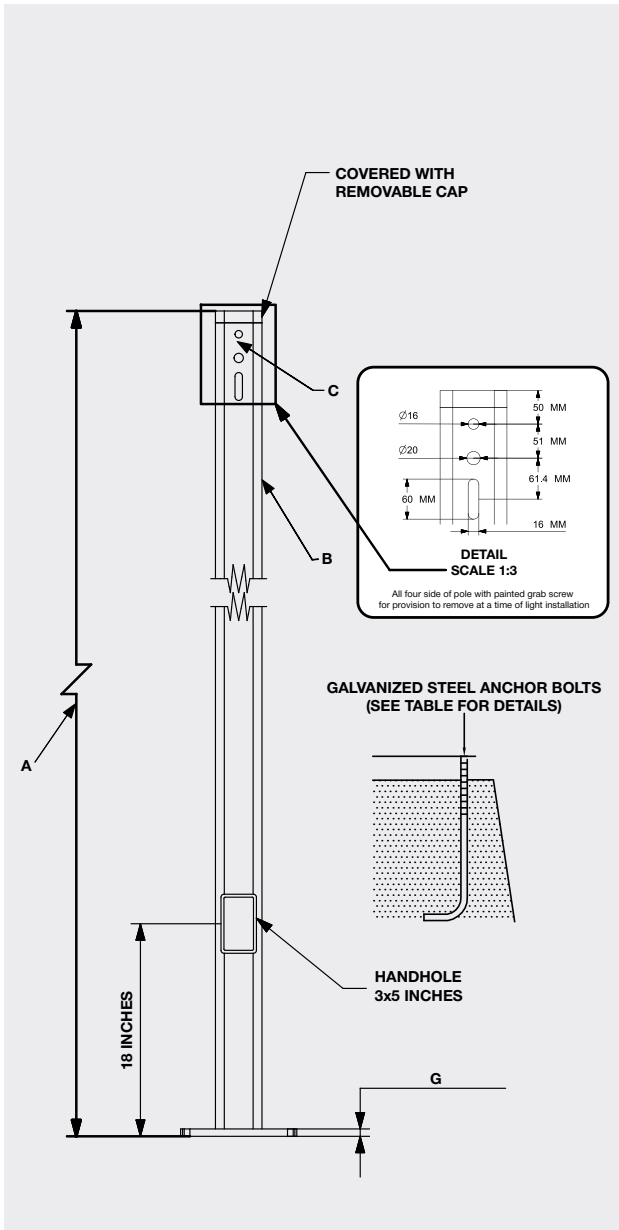
HL-SQPL	BM	4"=4	15'=15 Feet		BR = Bronze		
Product Family	Mounting Type	Shaft Size (Inches)	Mounting Height (Feet)	Base Type	Finish	Accessories	Anchor Bolt Set
Havells Lighting Square Pole	Base Mount	4	15	Square Steel Base	Bronze	Cover Set - Bronze Suitable For 4" Square Steel Pole Base Cover - 1 (2 Pcs.) Top Cover - 1 Hand Hole Cover - 1 Spray Paint - 1 Bolt Pattern Template - 1	Bolt M20/450 - 4 Pcs, Washer - M20 - 8 Pcs, Nut - M20 - 8 Pcs
			18				Bolt M20/600 - 4 Pcs, Washer - M20 - 8 Pcs, Nut - M20 - 8 Pcs
			20				Bolt M20/600 - 4 Pcs, Washer - M20 - 8 Pcs, Nut - M20 - 8 Pcs
			25				Bolt - M20/750 - 4 Pcs, Washer - M20 - 8 Pcs, Nut - M20 - 8 Pcs
			30				Bolt - M20/750 - 4 Pcs, Washer - M20 - 8 Pcs, Nut - M20 - 8 Pcs

ORDERING GUIDE

TYPICAL ORDER EXAMPLE: HL-SQPL-BM-4"-25'-BR-W					
PRODUCT FAMILY	BASE TYPE	SHAFT SIZE	HEIGHT	FINISH	
SQPL - Square steel base mount Pole	BM - Base Mount	4" - 4x4	15' 18' 20' 25' 30'	BR - Bronze	W - Pre wired or Blank



HAVELLS



EFFECTIVE PROJECTED AREA (AT POLE TOP)

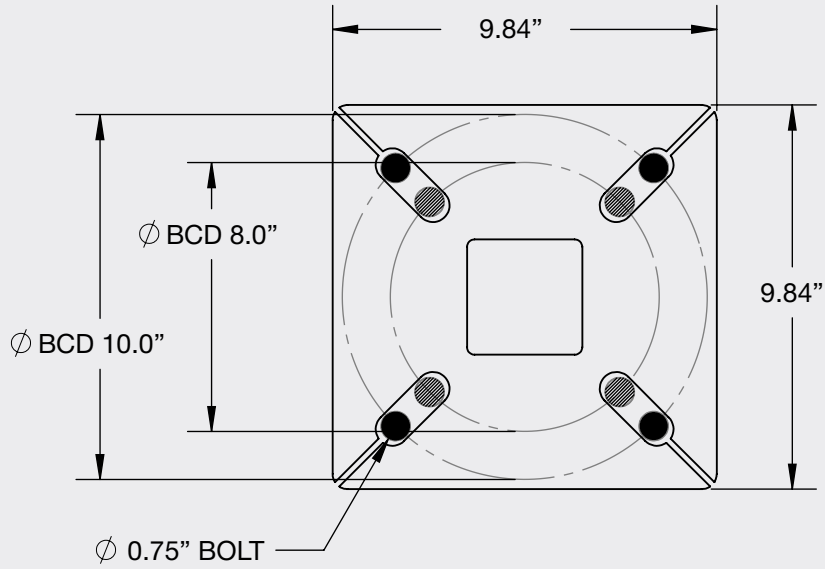
Mounting Height (Feet) A	Wall Thickness B	Top Width (Inches) C	Butt Width (Inches) D	Base Square (Inches) E	Bolt Circle Diameter (Inches) F	Base Thickness (Inches) G	Anchor Bolt	Pole Weight (Pounds) (+/- 5%)	Maximum Effective Projected Area for 100X100X 3 MM (Square Feet)					
									70 mph	80 mph	90 mph	100 mph	110 mph	120 mph
15	11G	3.94	3.94	9.84	8.5	5/8	M20/450	108	13.2	11.3	8.3	6.2	4.6	3.5
18	11G	3.94	3.94	9.84	8.5	5/8	M20/600	134	11.5	9.1	6.5	4.6	3.1	2.3
20	11G	3.94	3.94	9.84	8.5	3/4	M20/600	147	10.2	8.4	5.6	3.7	2.4	1.7
25	11G	3.94	3.94	9.84	8.5	3/4	M20/750	179	9.9	7.1	4.9	3.1	2.0	1.2
30	11G	3.94	3.94	11.81	11	3/4	M20/750	240	8.9	6.2	4.0	2.1	1.8	1.0



HAVELLS

ANCHOR BOLT TEMPLATES

15' | 18' | 20' | 25'



30'

