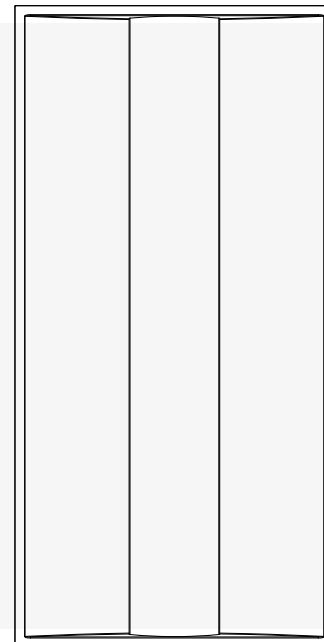
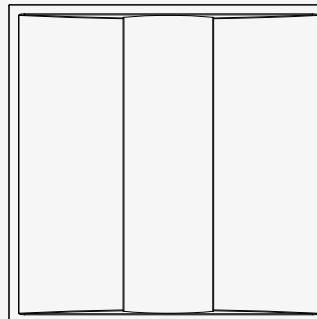


INSTALLATION GUIDE

TROFFER CENTER BASKET



INSTRUCTION MANUAL:

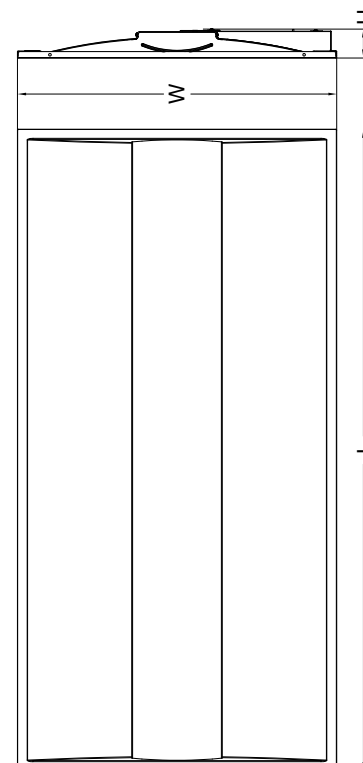
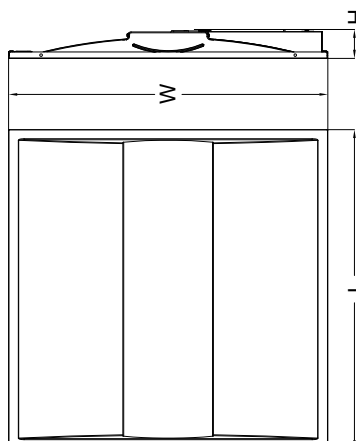
- PLEASE READ INSTRUCTION BEFORE COMMENCING INSTALLATION AND RETAIN FOR FUTURE REFERENCES. Electrical products can cause death or injury, or damage to property. If in any doubt about the installation or use of this product, consult a competent electrician

WARNING:

- LED troffer are not suitable for using in wet loations.
- LED troffer are not suitable for covering with thermally insulating material.
- Please keep the LED troffer way from any corrosive substance, and please use dry cloth when you clean it.
- LED troffer can only be installed by a qualified electrician.
- Before installation or maintenance, please disconnect the power to prevent electric shock.

PRODUCT DIMENSIONS

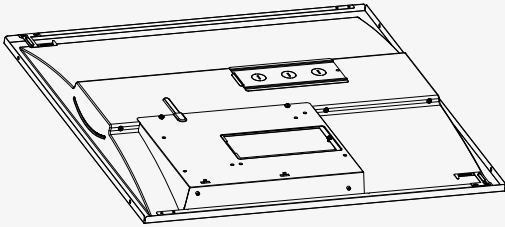
Part No.		2X2	2X4
Dimension (inch)	L	23.74"	47.75"
	W	23.74"	23.74"
	H	2.08"	2.08"



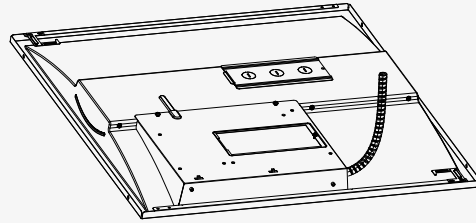
*Pictures and diagrams in this IM are for illustrative purpose only.

INSTALLATION FOR TROFFER CENTER BASKET

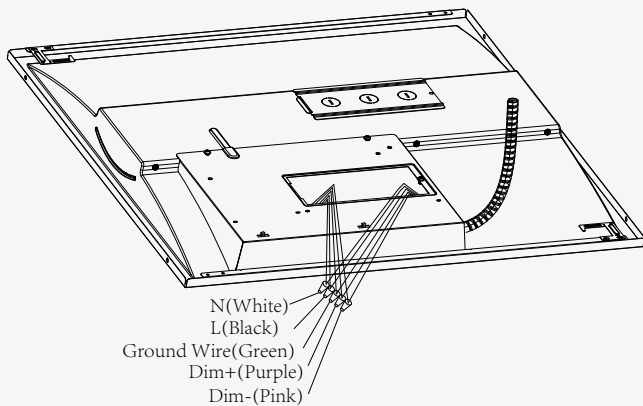
1. Unscrew the driver cover.



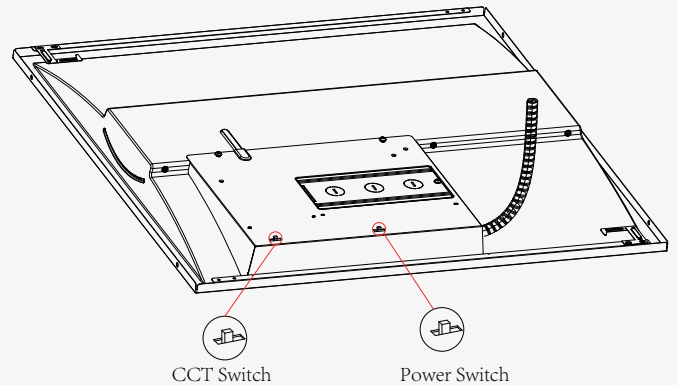
2. Connect the conduit to the driver box.



3. Connect other wires separately.



4. Put back the driver cover and fix it by screw.

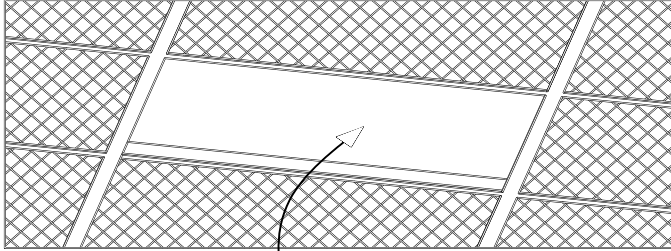


*Pictures and diagrams in this IM are for illustrative purpose only.

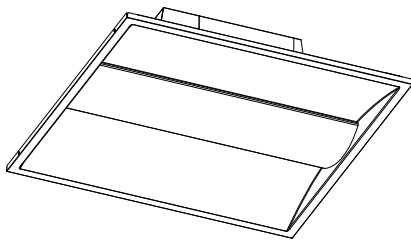
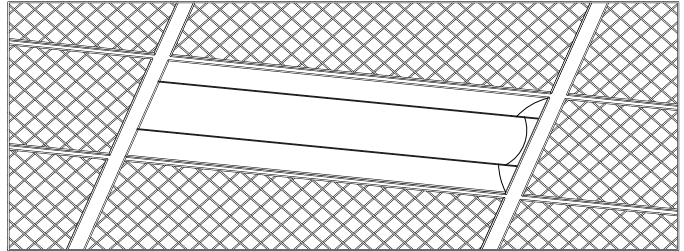
INSTALLATION FOR TROFFER CENTER BASKET

RECESSED INSTALLATION

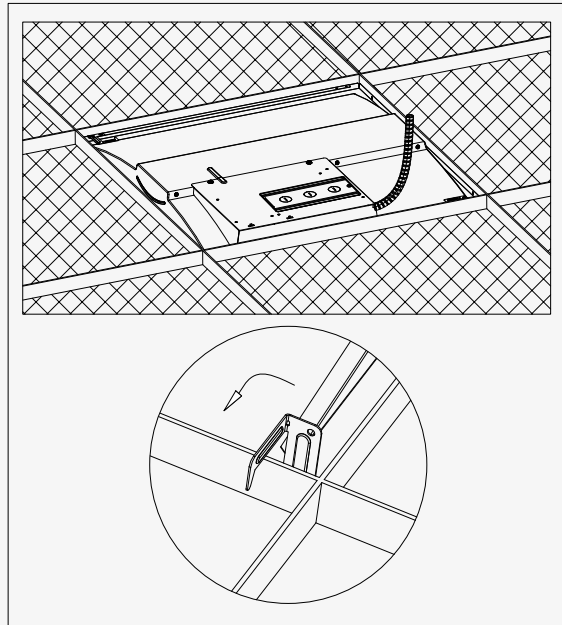
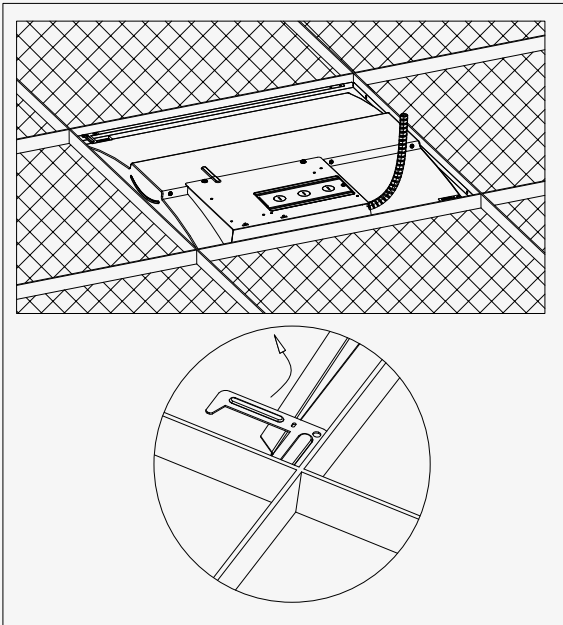
1. Replace existing lighting fixture from ceiling with LED Troffer



2. Replace existing lighting fixture from ceiling with LED Troffer



3. Use the protective brackets for the sake of safety



*Pictures and diagrams in this IM are for illustrative purpose only.