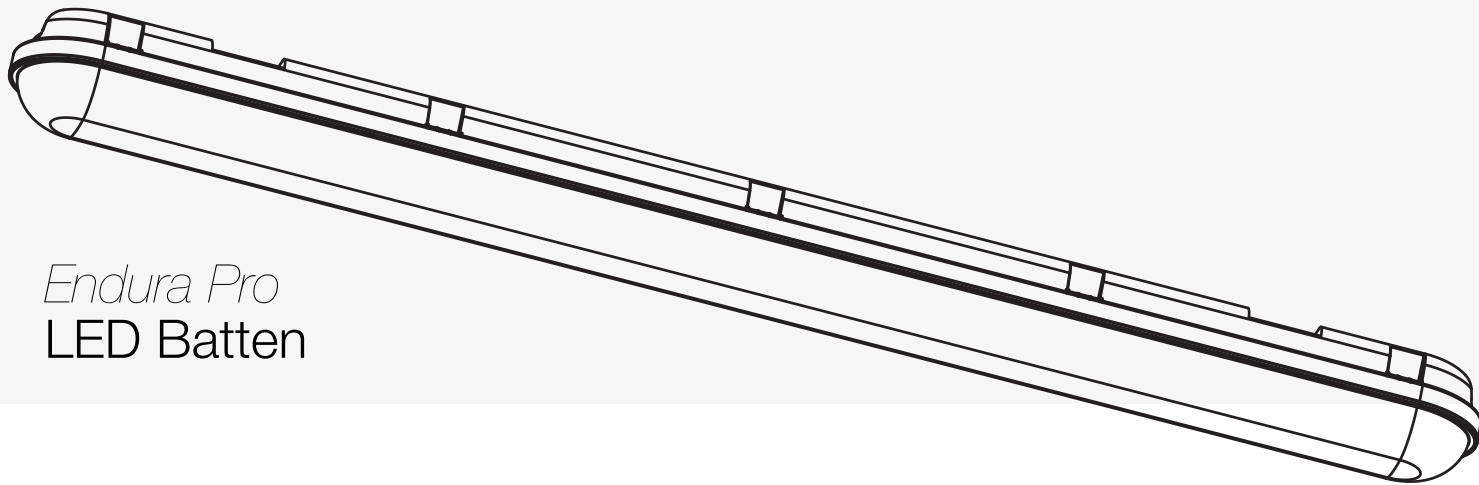


INSTALLATION GUIDE



Endura Pro
LED Batten

CAUTIONS:

1. Can not use the electric generator to test the LED light.
2. Please abide by related country, regional and local law and regulations when install this fixture.
3. Please turn off the power before installation or maintenance.

NOTICE:

1. To avoid possibility of electrical shock or fire, the installation personnel must have professional electric knowledge.
2. Please wear gloves to avoid injury before installation.
3. If any smoke or spark of the wire happened, please turn off the power immediately and notify relevant personnel.

ATTENTION:

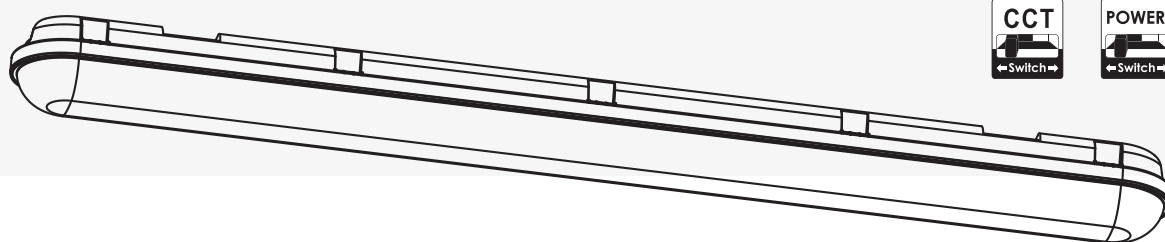
1. Please check if there is any damage during shipping. If so, please contact manufacturer timely.
2. Please read the installation instruction carefully to check whether all the accessories are complete. After confirmation, then install the fixture according to installation steps.

*Pictures and diagrams in this IM are for illustrative purpose only.

INSTALLATION FOR ENDURA PRO LED BATTEN

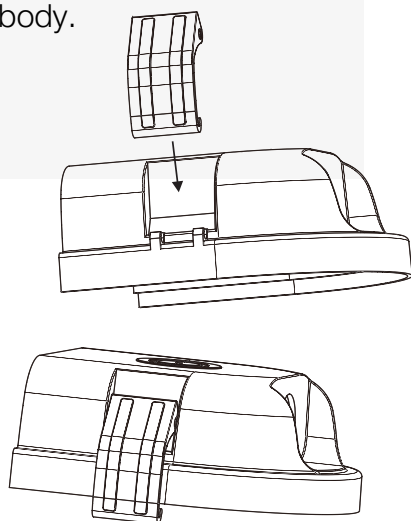
1. Opening the lens cover

- Opening the lens cover by connector of the fixture body.



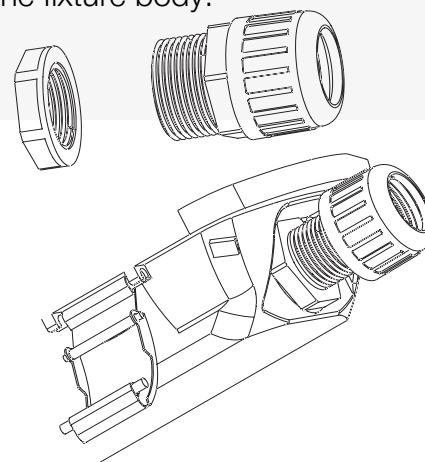
2. Installing the clamps

- Put the clamps into the fixture body.



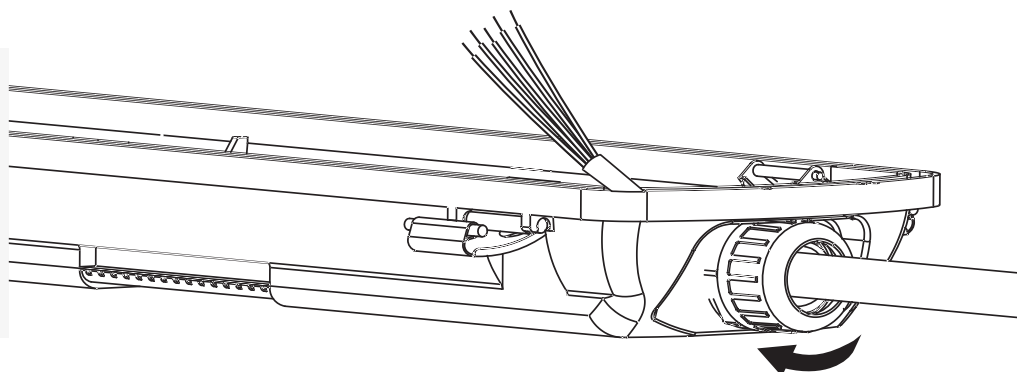
3. Installing the cord grip

- Remove the nut from the end of the cord grip and insert the threaded end into the knock out hole on the end of the fixture body.



4. Installing the cord grip

- Feed the wires from the electrical source through the cord grip and into the fixture body.
- Tighten the nut onto the cord grip to secure the wires.

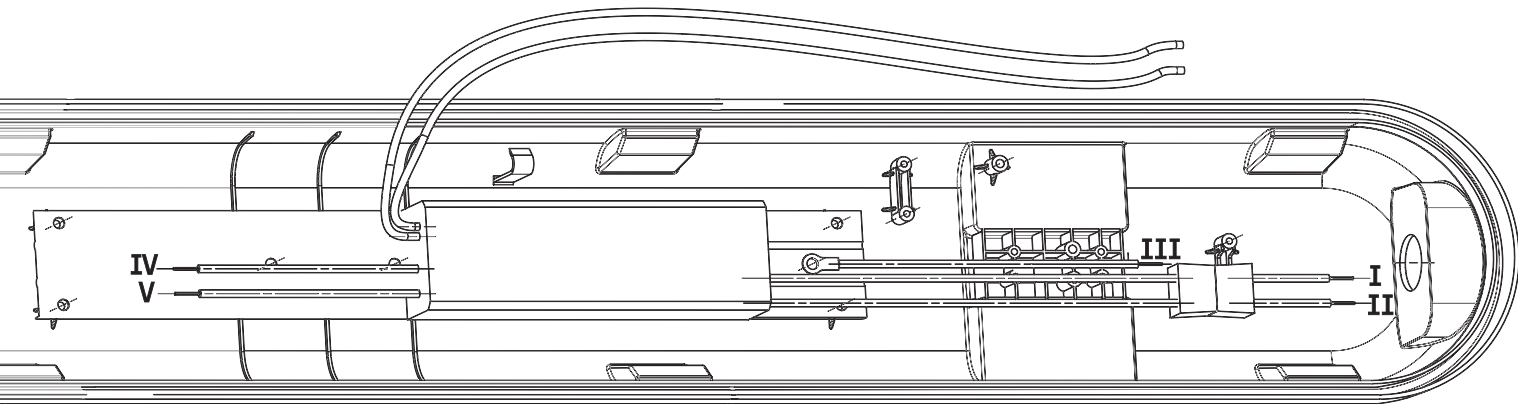


*Pictures and diagrams in this IM are for illustrative purpose only.

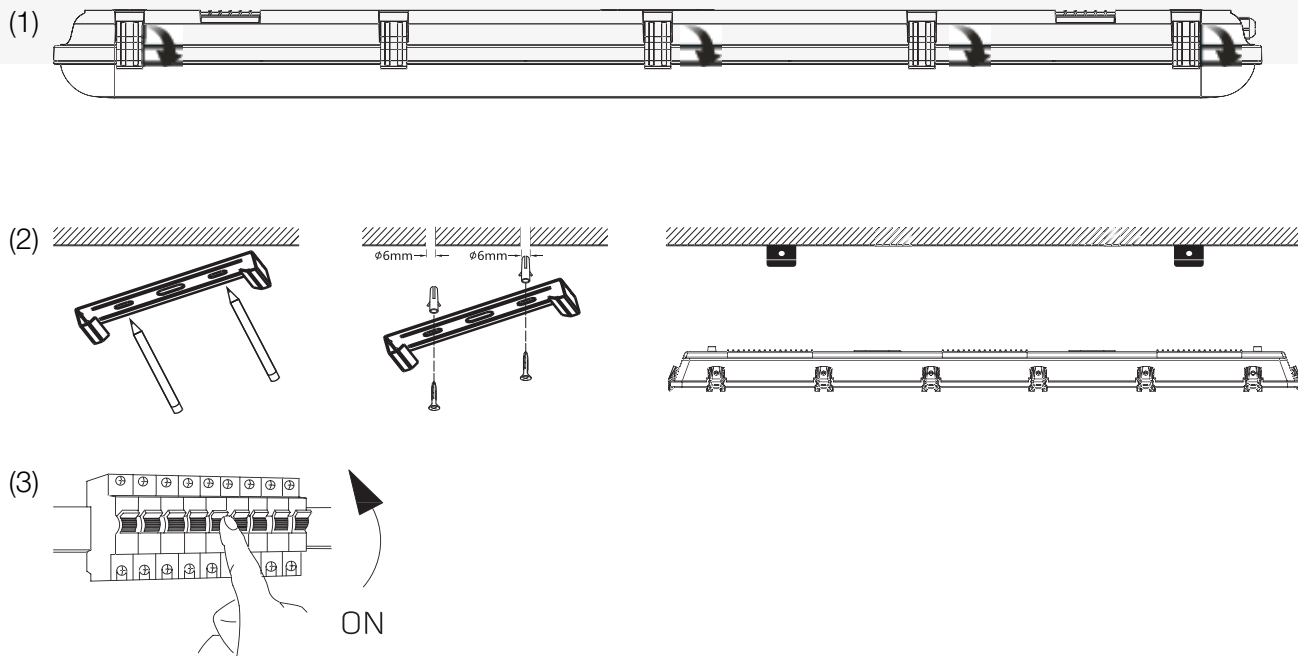
INSTALLATION FOR ENDURA PRO LED BATTEN

5. Making the electrical connections

- Connect the hot and neutral (black and white) wires from the electrical source to the same color wires from the LED driver box.
- Connect the green ground wire from the electrical source to the green/ yellow ground wire from the fixture body.
- If a 0-10V dimming circuit is available, connect the purple and gray wires from the electrical source to the same color wires from the LED driver box.
- If 0-10V dimming is not desired, wrap the ends of the purple and gray wires with electrical tape to cover the wires.
- Cover each wire connection with a wire connector (F) and electrical tape (not included).



6.



*Pictures and diagrams in this IM are for illustrative purpose only.